



2024

BIOSCIENCE
CONSUMABLES



FOCUSE ON LIFE SCIENCES
CONSUMABLES

ZHEJIANG RONGDA BIOTECHNOLOGY CO., LTD.

INTRODUCTION

Zhejiang Rongda Biotechnology Co., Ltd. was established in 2018. Our company's headquarter is located in Huangyan, Taizhou, an economically developed and scenic eastern coastal area in Zhejiang Province. We serve our customers with a science-based and quality-oriented spirit. Our company has a strong professional R&D team. At the same time, we have long-term cooperation with well-known domestic universities and scientific research institutions, and signed the contract of new products development and reagent experiments.

We adhere to the belief of "providing high-quality services for bioscience" and found the AMNGENT brand, focusing on cell culture, molecular biological consumables, biological sample library construction, safety management and the development and production of Class I and Class II diagnostic reagents. We continue to invest in high-end production equipment in the industry and introduce professional process technicians to form a new scientific management team. Our products have passed ISO9001, ISO13485, FDA, CE and other quality system certifications. AMNGENT continues to grow and develop, and our products are exported to companies in more than 80 countries and regions such as the United States and the European Union.

For the early-stage design and development of molds, our company also has a high-quality, professional and persistent team that makes full use of modern CAD/CAM design and the capabilities of a comprehensive CNC machining center to manufacture high-quality medical consumables and various molds.



DIRECTORY

LABORATORY CONSUMABLES SOLUTIONS

Centrifuge Tubes.....	02
Microcentrifuge Tubes.....	03
Solution Basins.....	04
Pipette Tips.....	05、06
Filter Pipette Tips.....	07、08
Pipette Tips Compatibility Chart.....	09
Pipette Tips For Rainin.....	10
5ml/10ml Pipette Tips.....	11
Transfer Pipets.....	12
PCR Tubes.....	13
PCR Plates.....	14
Petri Dishes.....	15
Inoculating Loops&Needles.....	16
Cell Spreader.....	17
PC Conical Flasks.....	18
Gloves.....	19
Serological Pipettes.....	20
Cell Strainer.....	21
Cell Culture Dishes.....	22
Confocal Petri Dishes.....	23
Cell Culture Flasks.....	24
Cell Culture Plates.....	25
ELISA Plate.....	26

BIOBANK CONSUMABLES SOLUTIONS

Traditional Cryogenic Vials.....	28
2D Cryogenic Vials.....	29
SBS Cryogenic Vials.....	30

DIRECTORY

Carboard Cryo Boxes.....	31
Hinged Lid Cardboard Cryo Boxes/ Rivet Hinged Lid Boxes.....	32
Pp Cryo Boxes.....	33
Pc Cryo Boxes.....	34
Gradient Cooling Boxes.....	35
Frame Freezer Racks/Sliding Drawer Freezer Racks/Side Access Drawer Freezer Racks.....	36
Horizontal Freezer Racks/ Self – Fixed Horizontal Freezing Rack.....	37
Scanning Gun & Scanner	38
SBS single–tube Lid Openers/SBS multi–tube Lid Openers.....	39
Cryogenic Vials Lid Openers.....	40
SBS Whole–box Lid Openers/Open cap pipette docking module	41
Low–temperature Label Printers & Labels.....	42
Sample Library Management Software.....	43

IVD CONSUMABLES SOLUTIONS

Low Screw Cap Microtubes.....	45
High Screw Cap Microtubes.....	46
Short Screw Cap Microtubes.....	47
High Screw Cap Microtubes.....	48
Reagent Bottles.....	49、 50
Media Bottles.....	51
Sample Tubes.....	52
Reagent Reservoir.....	53
Deep Well Plates.....	54
Hamilton Automatic Pipette tips.....	55
Tecan Automatic Pipette Tips.....	56
Beckman Automatic Pipette Tips.....	57
Bacterial Culture Flasks.....	58
Saliva Collectors.....	59
Disposable Virus Sample Tubes.....	60



LABORATORY CONSUMABLES SOLUTIONS

AMNGENT Provide standing consumables for biomedicine laboratory , including molecular biology, microbial detection, cell culture, and other general consumables, and provide customers with systematic consumable solutions.

Centrifuge Tubes

Features

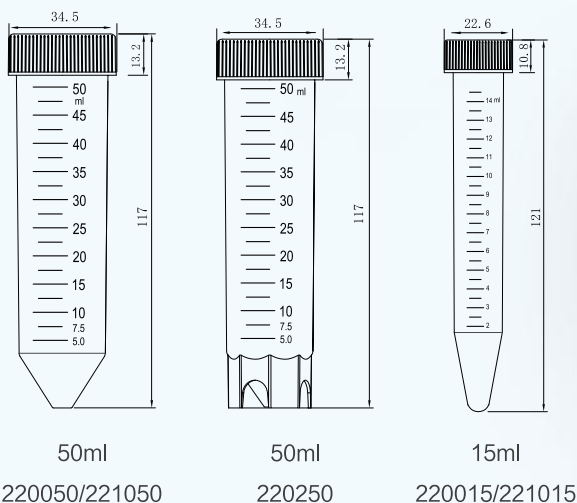
- Medical grade material : PP Tube & HDPE Cap
- 15ml and 50ml cone bottom design, highly transparent easy for observe,black scale mark and white writing area
- Tube cap double screw design for enhanced sealing, suitable for one-handed operation
- Flat cover design, easy for operators used as a sample information marking area.
- E-beam sterilization, DNase/RNase-free, Endotoxin-free
- Packaging Available:sterile foam rack, sterile bag and other multiple packaging specifications

Specifications

- Temperature tolerance range: -80°C-121°C
- Max RCF: 15ml centrifuge tube: 12000G
50ml centrifuge tube: 9500G

Item No.	Volume	Bottom shape	Max RCF(g)	Sterile	Non-enzyme	Packaging Specifications
220015	15ml	conical	12000	Yes	Yes	25pcs/bag,20bags/carton
220050	50ml	conical	9500	Yes	Yes	25pcs/bag,20bags/carton
220250	50ml	Self-standing	9500	Yes	Yes	25pcs/bag,20bags/carton
221015	15ml	conical	12000	Yes	Yes	50pcs/rack,10racks/carton
221050	50ml	conical	9500	Yes	Yes	25pcs/rack,20racks/carton

Dimensions=mm



Microcentrifuge Tubes

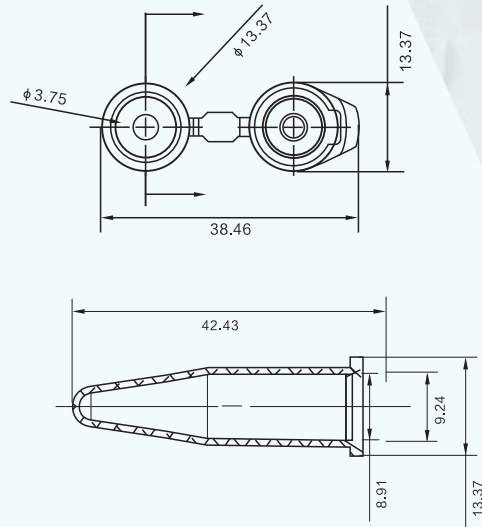
Features

- Medical grade PP material:
- Highly transparent easy for observe, Clear Graduations and frosted marking area
- Special safelock cap design provides secure lid sealing
- Flat cover design for easy writing and marking
- DNase free, RNase free, Endotoxin free
- Both sterile and non-sterile tubes are available

Specifications

- Temperature tolerance range: -80°C – 121°C
- Max RCF: 16000G, suitable for high speed centrifugation

Dimensions=mm



1.5ml

Item No.	Volume	Low Retention	Sterile	Non-enzyme	Packaging Specification
240005	0.5ml	No	No	Yes	500pcs/bag,10bags/carton
240006	0.6ml	No	No	Yes	500pcs/bag,10bags/carton
240015	1.5ml	No	No	Yes	500pcs/bag,10bags/carton
240020	2.0ml	No	No	Yes	500pcs/bag,10bags/carton
241006	0.6ml	Yes	No	Yes	500pcs/bag,10bags/carton
241015	1.5ml	Yes	No	Yes	500pcs/bag,10bags/carton
241020	2.0ml	Yes	No	Yes	500pcs/bag,10bags/carton

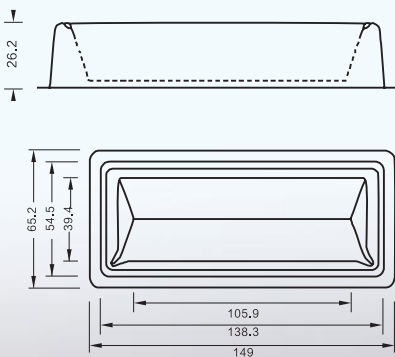
Solution Basins

Features

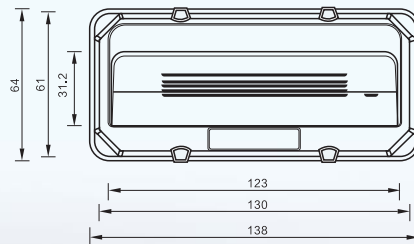


- Available in PS white and PVC transparent colors
- PS white solution basins : individually sterile pack;bulk pack for PVC transparent solution basins
- Available in 10ml, 25ml, 55ml, 100ml multi-capacity options
- EO sterile

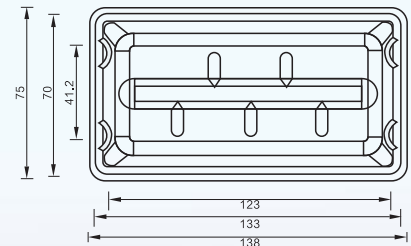
Item No.	Volume	Material	Sterile	Non-enzyme	Packing	Packaging Specifications
280010	10ml	PS	Yes	Yes	Individual	100pcs/carton
280025	25ml	PS	Yes	Yes	Individual	100pcs/carton
280050	55ml	PS	Yes	Yes	Individual	100pcs/carton
280100	100ml	PS	Yes	Yes	Individual	100pcs/carton
280051	55ml	PVC	No	No	Bulk	10pcs/bag,600pcs/carton



280050/280051



280025



280100

Dimensions=mm



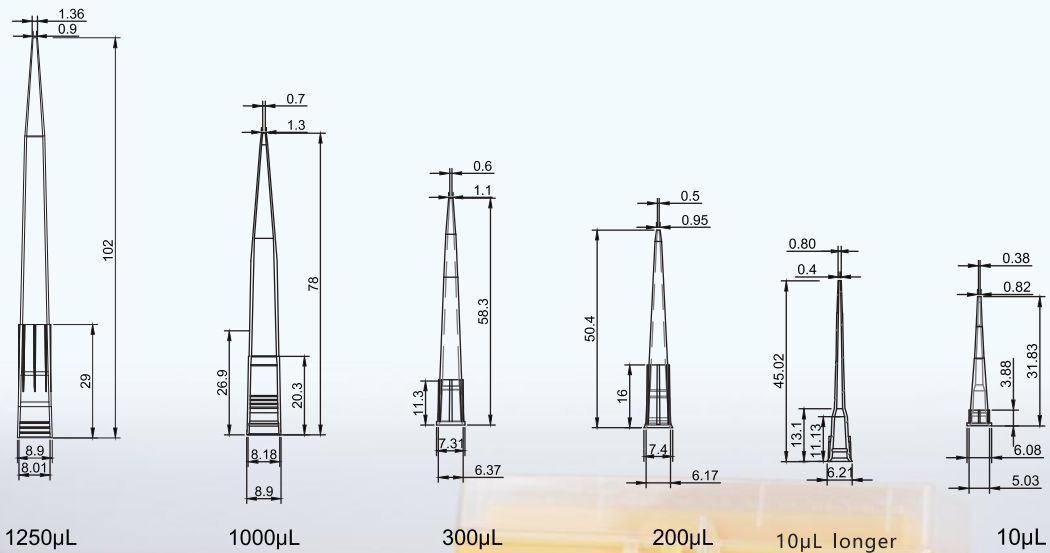
Pipette Tips

Features

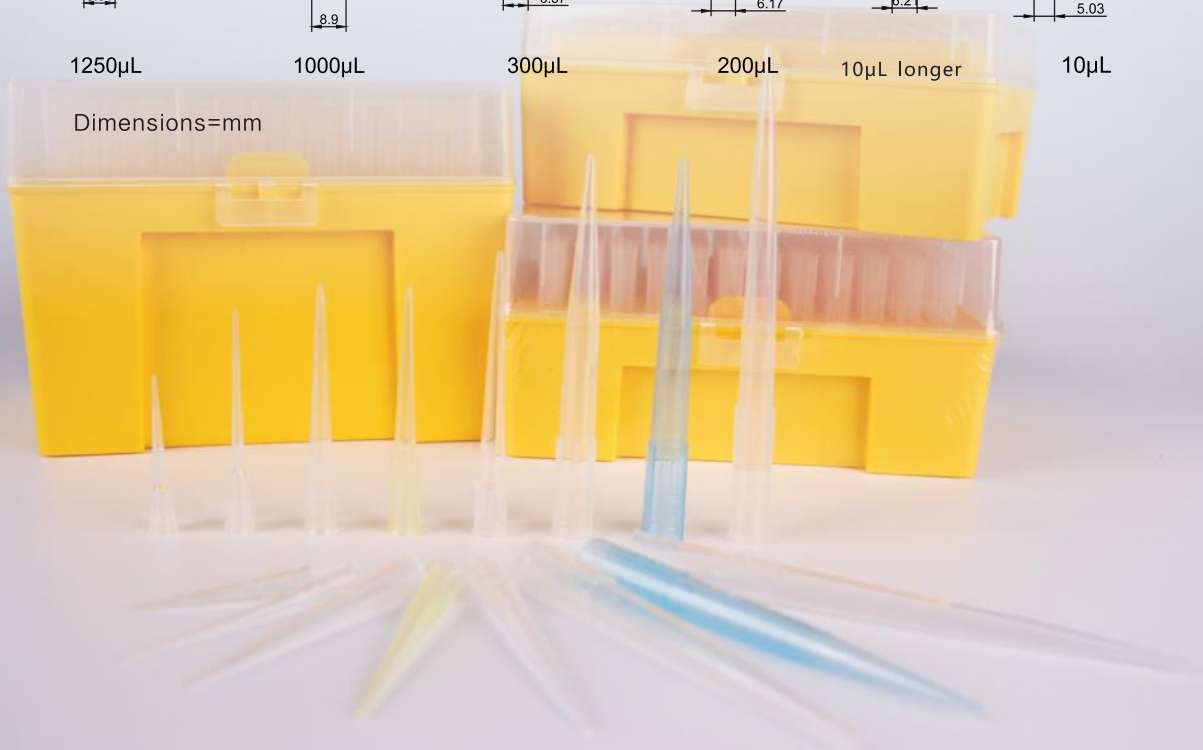
- Medical grade polypropylene material
- Available in regular and low adsorption and reload system
- Available in 10 ul, 10 ul longer, 200ul, 300 ul, 500ul, 1000 ul and 1250 ul
- Match for standard manual and electronic pipettes
- DNase free, RNase free, Non-pyrogen
- Bacterial endotoxin < 0.050EU/bottle
- Available in bag pack, rack pack and reload system
- E-Beam Sterile
- Both sterile and non-sterile are available

Specifications

- Can withstand 121 °C high temperature and autoclavable sterilization



Dimensions=mm

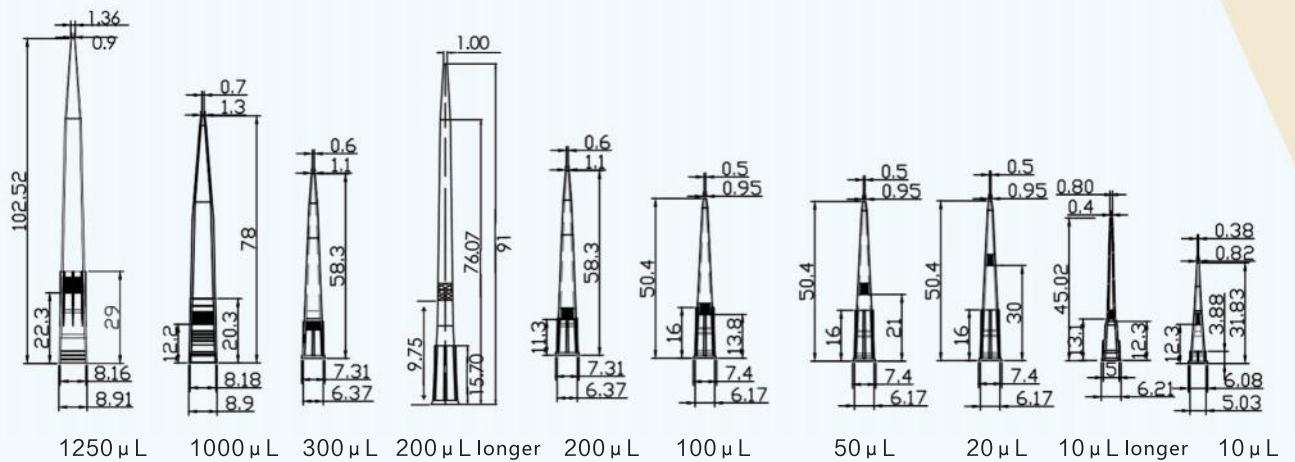


Item No.	Volume	Color	Low adsorption	Sterile	Non-enzyme	Packaging Specifications
430010	10 µ L	Transparent	No	No	Yes	Bagged, 1000tips/bag, 10bags/carton
440010	10 µ L	Transparent	No	Yes	Yes	Racked, 96tips/rack, 50racks/box
460010	10 µ L	Transparent	No	No	Yes	Stacked, 96tips/stack, 10stacks/inner, 10inners/carton
450010	10 µ L	Transparent	Yes	Yes	Yes	Racked, 96tips/rack, 50racks/box
470010	10 µ L	Transparent	Yes	No	Yes	Stacked, 96tips/stack, 10stacks/inner, 10inners/carton
430011	10 µ L longer	Transparent	No	No	Yes	Bagged, 500tips/bag, 20bags/carton
440011	10 µ L longer	Transparent	No	Yes	Yes	Racked, 96tips/rack, 50racks/box
460011	10 µ L longer	Transparent	No	No	Yes	Stacked, 96tips/stack, 10stacks/inner, 10inners/carton
450011	10 µ L longer	Transparent	Yes	Yes	Yes	Racked, 96tips/rack, 50racks/box
470011	10 µ L longer	Transparent	Yes	No	Yes	Stacked, 96tips/stack, 10stacks/inner, 10inners/carton
430200	200 µ L	Transparent yellow	No	No	Yes	Bagged, 1000tips/bag, 10bags/carton
430201	200 µ L	Transparent	No	No	Yes	Bagged, 1000tips/bag, 10bags/carton
440200	200 µ L	Transparent yellow	No	Yes	Yes	Racked, 96tips/rack, 50racks/box
440201	200 µ L	Transparent	No	Yes	Yes	Racked, 96tips/rack, 50racks/box
460200	200 µ L	Transparent yellow	No	No	Yes	Stacked, 96tips/stack, 10stacks/inner, 10inners/carton
450200	200 µ L	Transparent yellow	Yes	Yes	Yes	Racked, 96tips/rack, 50racks/box
470200	200 µ L	Transparent yellow	Yes	No	Yes	Stacked, 96tips/stack, 10stacks/inner, 10inners/carton
430301	300 µ L	Transparent	No	No	Yes	Bagged, 1000tips/bag, 10bags/carton
440301	300 µ L	Transparent	No	Yes	Yes	Racked, 96tips/rack, 50racks/box
460300	300 µ L	Transparent	No	No	Yes	Stacked, 96tips/stack, 10stacks/inner, 10inners/carton
470300	300 µ L	Transparent	Yes	No	Yes	Stacked, 96tips/stack, 10stacks/inner, 10inners/carton
431000	1000 µ L	Transparent blue	No	No	Yes	Bagged, 1000tips/bag, 10bags/carton
431001	1000 µ L	Transparent	No	No	Yes	Bagged, 1000tips/bag, 10bags/carton
441000	1000 µ L	Transparent blue	No	Yes	Yes	Racked, 96tips/stack, 30racks/box
441001	1000 µ L	Transparent	No	Yes	Yes	Racked, 96tips/stack, 30racks/box
461000	1000 µ L	Transparent blue	No	No	Yes	Stacked, 96tips/stack, 8stacks/inner, 10inners/carton
451000	1000 µ L	Transparent blue	Yes	Yes	Yes	Racked, 96tips/stack, 30racks/box
471000	1000 µ L	Transparent blue	Yes	No	Yes	Stacked, 96tips/stack, 8stacks/inner, 10inners/carton
431250	1250 µ L	Transparent	No	No	Yes	Bagged, 500pcs/bag, 10bags/carton
441250	1250 µ L	Transparent	No	Yes	Yes	Racked, 96tips/stack, 30racks/box
461250	1250 µ L	Transparent	No	No	Yes	Stacked, 96tips/stack, 8stacks/inner, 10inners/carton
451250	1250 µ L	Transparent	Yes	Yes	Yes	Racked, 96tips/stack, 30racks/box
471250	1250 µ L	Transparent	Yes	No	Yes	Stacked, 96tips/stack, 8stacks/inner, 10inners/carton

Filter Pipette Tips

Features

- Medical grade polypropylene material, Filter medical grade polyethylene material
- Available in regular and low adsorption
- Available in 10 μ l, 10 μ l longer, 20 μ l, 50 μ l, 100 μ l, 200 μ l,300 μ l, 1000 μ l and 1250 μ l
- DNase free, RNase free, Non-pyrogen
- Bacterial endotoxin <0.050EU/bottle
- Available in bag pack, rack pack and reload system
- E-Beam sterile



Dimensions=mm



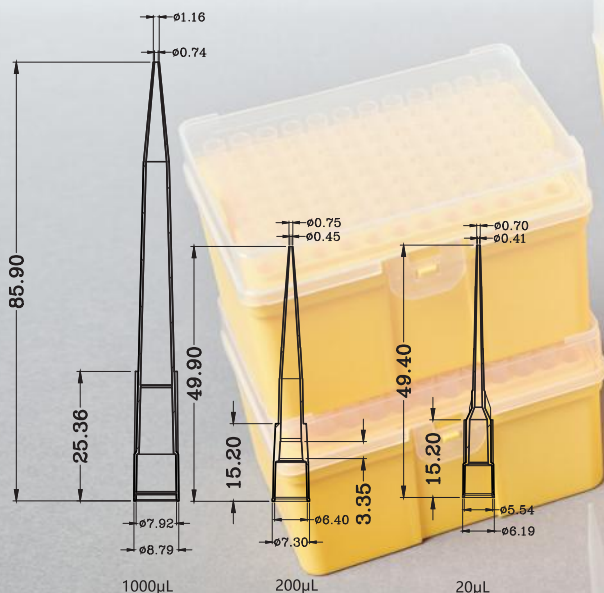
Item No.	Volume	Color	Low adsorption	Sterile	Non-enzyme	Packaging Specifications
400010	10 μ L	Transparent	No	No	Yes	Bagged, 1000tips/bag, 10bags/carton
420010	10 μ L	Transparent	No	Yes	Yes	Racked, 96tips/rack, 10racks/inner, 50racks/carton
480010	10 μ L	Transparent	Yes	Yes	Yes	Racked, 96tips/rack, 10racks/inner, 50racks/carton
400011	10 μ L longer	Transparent	No	No	Yes	Bagged, 500tips/bag, 20bags/carton
420011	10 μ L longer	Transparent	No	Yes	Yes	Racked, 96tips/rack, 10racks/inner, 50racks/carton
480011	10 μ L longer	Transparent	Yes	Yes	Yes	Racked, 96tips/rack, 10racks/inner, 50racks/carton
400020	20 μ L	Transparent	No	No	Yes	Bagged, 1000tips/bag, 10bags/carton
420020	20 μ L	Transparent	No	Yes	Yes	Racked, 96tips/rack, 10racks/inner, 50racks/carton
480020	20 μ L	Transparent	Yes	Yes	Yes	Racked, 96tips/rack, 10racks/inner, 50racks/carton
400050	50 μ L	Transparent	No	No	Yes	Bagged, 1000tips/bag, 10bags/carton
420050	50 μ L	Transparent	No	Yes	Yes	Racked, 96tips/rack, 10racks/inner, 50racks/carton
480050	50 μ L	Transparent	Yes	Yes	Yes	Racked, 96tips/rack, 10racks/inner, 50racks/carton
400100	100 μ L	Transparent	No	No	Yes	Bagged, 1000tips/bag, 10bags/carton
420100	100 μ L	Transparent	No	Yes	Yes	Racked, 96tips/rack, 10racks/inner, 50racks/carton
480100	100 μ L	Transparent	Yes	Yes	Yes	Racked, 96tips/rack, 10racks/inner, 50racks/carton
400200	200 μ L	Transparent	No	No	Yes	Bagged, 1000tips/bag, 10bags/carton
420200	200 μ L	Transparent	No	Yes	Yes	Racked, 96tips/rack, 10racks/inner, 50racks/carton
420201	200 μ L longer	Transparent	No	Yes	Yes	Racked, 96tips/rack, 10racks/inner, 50racks/carton
480200	200 μ L	Transparent	Yes	Yes	Yes	Racked, 96tips/rack, 10racks/inner, 50racks/carton
400300	300 μ L	Transparent	No	No	Yes	Bagged, 1000tips/bag, 10bags/carton
420300	300 μ L	Transparent	No	Yes	Yes	96tips/rack, 8racks/inner, 40racks/carton
480300	300 μ L	Transparent	Yes	Yes	Yes	96tips/rack, 8racks/inner, 40racks/carton
401000	1000 μ L	Transparent	No	No	Yes	Bagged, 1000tips/bag, 10bags/carton
421000	1000 μ L	Transparent	No	Yes	Yes	96tips/rack, 6racks/inner, 30racks/carton
481000	1000 μ L	Transparent	Yes	Yes	Yes	96tips/rack, 6racks/inner, 30racks/carton
401250	1250 μ L	Transparent	No	No	Yes	Bagged, 500tips/bag, 10bags/carton
421250	1250 μ L	Transparent	No	Yes	Yes	96tips/rack, 6racks/inner, 30racks/carton
481250	1250 μ L	Transparent	Yes	Yes	Yes	96tips/rack, 6racks/inner, 30racks/carton

Pipette Tips For Rainin

Features

- Medical grade polypropylene material
- Fits Rainin LTS pipettes
- Available in 20ul, 200ul, 300ul,1000ul
- Available in regular non-filter and filter tips ,bag pack and rack pack for options DNase free, RNase free, Non-pyrogen
- E-Beam Sterile
- Both sterile and non-sterile are available

Item No.	Filter	Volume	Low adsorption	Sterile	Non-enzyme	Packaging Specifications
R430020	Without	20 μ L	No	No	Yes	500tips/bag,20bags/carton
R430200	Without	200 μ L	No	No	Yes	1000tips/bag,10bags/carton
R430300	Without	300 μ L	No	No	Yes	1000tips/bag,10bags/carton
R431000	Without	1000 μ L	No	No	Yes	1000tips/bag,5bags/carton
R460020	Without	20 μ L	No	No	Yes	Reload system, 96tip/rack,8rack/inner,10inner/carton
R460200	Without	200 μ L	No	No	Yes	Reload system, 96tip/rack,8rack/inner,10inner/carton
R460300	Without	300 μ L	No	No	Yes	Reload system, 96tip/rack,8rack/inner,10inner/carton
R461000	Without	1000 μ L	No	No	Yes	Reload system, 96tip/rack,8rack/inner,10inner/carton
R440020	Without	20 μ L	No	Yes	Yes	96tips/rack,10racks/inner,5inners/carton
R440200	Without	200 μ L	No	Yes	Yes	96tips/rack,10racks/inner,5inners/carton
R440300	Without	300 μ L	No	Yes	Yes	96tips/rack,10racks/inner,5inners/carton
R441000	Without	1000 μ L	No	Yes	Yes	96tips/rack,10racks/inner,5inners/carton
R400020	With filter	20 μ L	No	No	Yes	500tips/bag,20bags/carton
R400200	With filter	200 μ L	No	No	Yes	1000tips/bag,10bags/carton
R400300	With filter	300 μ L	No	No	Yes	1000tips/bag,10bags/carton
R401000	With filter	1000 μ L	No	No	Yes	1000tips/bag,5bags/carton
R420020	With filter	20 μ L	No	Yes	Yes	96tips/rack,10racks/inner,5inners/carton
R420200	With filter	200 μ L	No	Yes	Yes	96tips/rack,10racks/inner,5inners/carton
R420300	With filter	300 μ L	No	Yes	Yes	96tips/rack,10racks/inner,5inners/carton
R421000	With filter	1000 μ L	No	Yes	Yes	96tips/rack,10racks/inner,5inners/carton
R480020	With filter	20 μ L	Yes	Yes	Yes	96tips/rack,10racks/inner,5inners/carton
R480200	With filter	200 μ L	Yes	Yes	Yes	96tips/rack,10racks/inner,5inners/carton
R480300	With filter	300 μ L	Yes	Yes	Yes	96tips/rack,10racks/inner,5inners/carton
R481000	With filter	1000 μ L	Yes	Yes	Yes	96tips/rack,10racks/inner,5inners/carton



Dimensions=mm

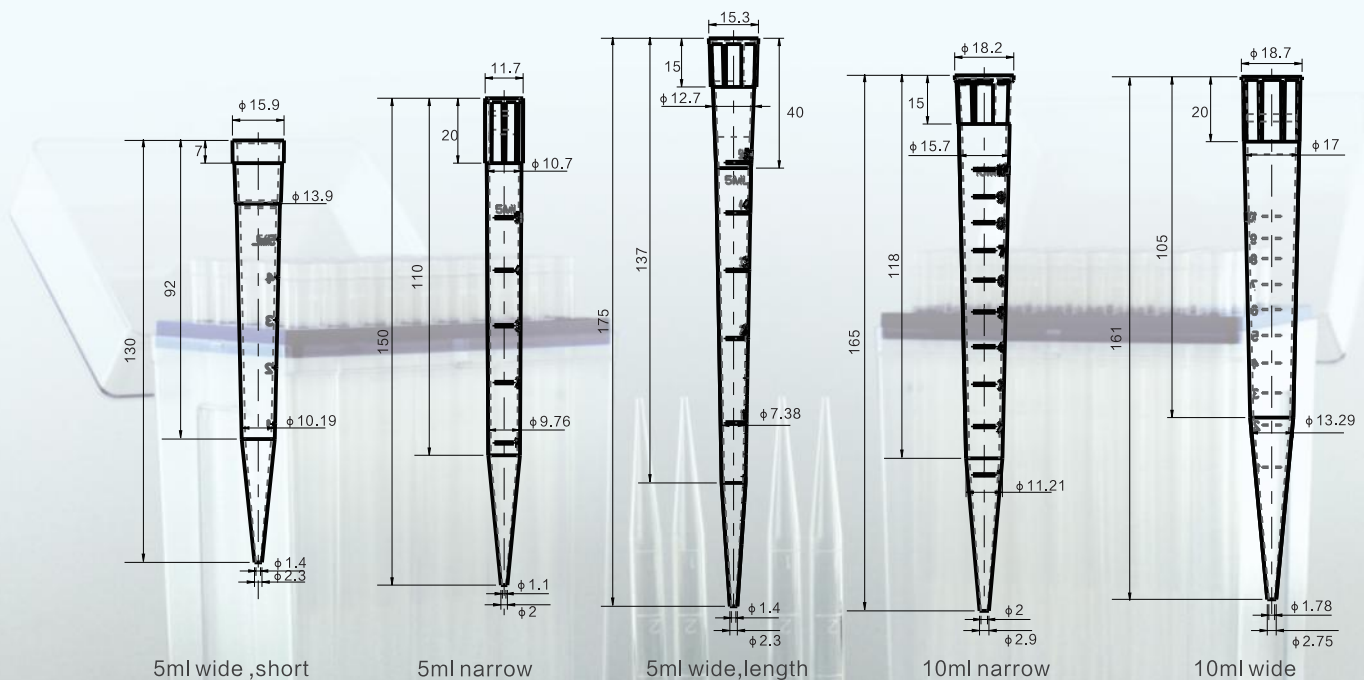


5ml/10ml Pipette Tips

Features

- Compatible with many pipettes brands
- Clear scale mark, transparent body and the volume can be visually confirmed
- No DNase, RNA enzyme, no pyrogen
- Can be sterilized under high pressure, with a temperature tolerance range of -80~121°C

Item No.	Volume	Color	Filter	Non-enzyme	Packaging Specifications
6002005-D	5ml	Transparent	Without	Yes	100 pcs/bag, 10 bags/case
6003005-D	5ml	Transparent	Without	Yes	100 pcs/bag, 10 bags/case
6001005-D	5ml	Transparent	Without	Yes	100 pcs/bag, 10 bags/case
6001010-D	10ml	Transparent	Without	Yes	100 pcs/bag, 10 bags/case
6002010-D	10ml	Transparent	Without	Yes	100 pcs/bag, 10 bags/case
6002005-H	5ml	Transparent	Without	Yes	40 pcs/rack, 16 racks/case
6003005-H	5ml	Transparent	Without	Yes	24 pcs/rack, 16 racks/case
6001005-H	5ml	Transparent	Without	Yes	24 pcs/rack, 16 racks/case
6001010-H	10ml	Transparent	Without	Yes	24 pcs/rack, 16 racks/case
6002010-H	10ml	Transparent	Without	Yes	24 pcs/rack, 16 racks/case
7002005-H	5ml	Transparent	With filter	Yes	40 pcs/rack, 16 racks/case
7003005-H	5ml	Transparent	With filter	Yes	24 pcs/rack, 16 racks/case
7001005-H	5ml	Transparent	With filter	Yes	24 pcs/rack, 16 racks/case
7001010-H	10ml	Transparent	With filter	Yes	24 pcs/rack, 16 racks/case
7002010-H	10ml	Transparent	With filter	Yes	24 pcs/rack, 16 racks/case

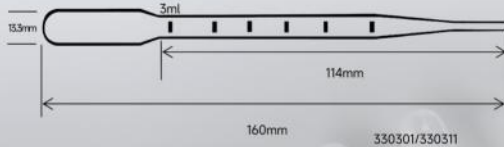
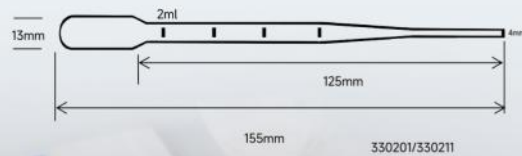
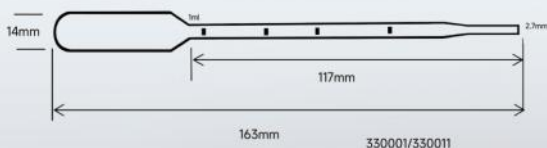


Transfer Pipets

Features

- High quality PE material, high toughness, high transparency, good repeatability
- Tube body and bulb thickened design, convenient pipetting and cell blowing
- Slim and soft, easy to transfer liquids quickly, the perfect replacement for glue tip droppers
- Electron beam sterilization
- Available in sterile individually pack and plastic packaging and non-sterile bulk

Item No.	Volume	Length	Sterile	Non-enzyme	Packing	Packaging Specifications
330001	1ml	163mm	No	No	Bulk	500pcs/rack, 2000pcs/carton
330011	1ml	163mm	Yes	Yes	Individual	500pcs/rack, 2000pcs/carton
330201	2ml	155mm	No	No	Bulk	500pcs/rack, 2000pcs/carton
330211	2ml	155mm	Yes	Yes	Individual	500pcs/rack, 2000pcs/carton
330301	3ml	160mm	No	No	Bulk	500pcs/rack, 2000pcs/carton
330311	3ml	160mm	Yes	Yes	Individual	500pcs/rack, 2000pcs/carton
330302	3ml longer	177mm	No	No	Bulk	500pcs/rack, 2000pcs/carton
330312	3ml longer	177mm	Yes	Yes	Individual	500pcs/rack, 2000pcs/carton



PCR Tubes

Features

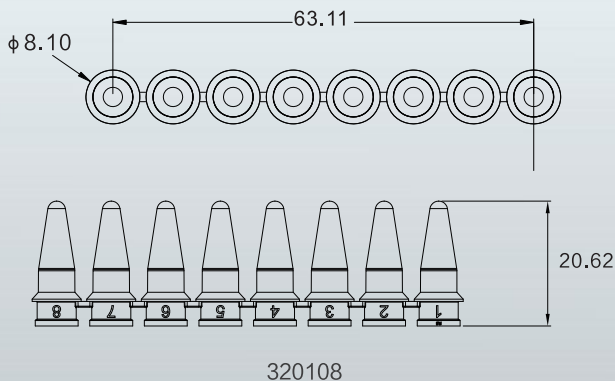
- Medical grade polypropylene material
- Ultra-thin tube wall, extremely fast temperature conduction
- Flat lid design, suitable for real-time quantitative PCR experiments
- Special sealing design, effectively avoid the problem of explosion cover
- DNase free, RNase free, Endotoxin free

Specification

- Working temperature: -20°C ~ 100°C , can be matched with conventional brand PCR instruments and can withstand fully supported rotors
- RCF: 6000G

Item No.	Volume	Color	Type	Cap	Non-enzyme	Packaging Specifications
310008	0.1ml,8-strip	Transparent	AXYGEN	Flat	Yes	125pcs/rack, 10racks/carton
310108	0.1ml,8-strip	White	AXYGEN	Flat	Yes	125pcs/rack, 10racks/carton
311008	0.1ml,8-strip	Transparent	Roche	Flat	Yes	125pcs/rack, 10racks/carton
311108	0.1ml,8-strip	White	Roche	Flat	Yes	125pcs/rack, 10racks/carton
320002	0.2ml,single	Transparent	General	Flat	Yes	1000pcs/rack, 10racks/carton
320108	0.2ml,8-strip	Transparent	AXYGEN	Flat	Yes	125pcs/rack, 10racks/carton
320128	0.2ml,8-strip	Transparent	Roche	Flat	Yes	125pcs/rack, 10racks/carton
320158	0.2ml,8-strip	Transparent	General	Convex	Yes	125pcs/rack, 10racks/carton

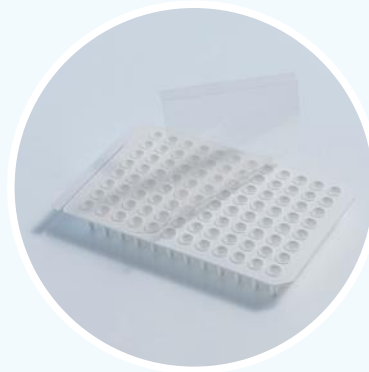
Dimensions=mm



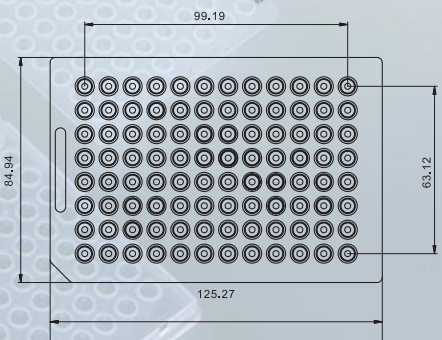
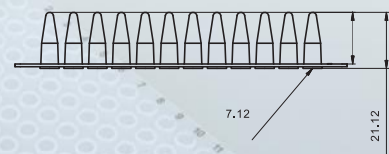
PCR Plates

Features

- 1. Medical grade polypropylene material
- 2. Ultra-thin tube wall, extremely fast temperature conduction
- 3. Suitable for real-time fluorescence quantitative experiments
- 4. Available in non-skirt, half skirt and full skirt
- 5. Elevated edge of the hole can better prevent cross contamination, and the plate design better for self-adhesive film
- 6. DNase free, RNase free, Endotoxin free
- 7. Sealing film is made of medical grade polypropylene
- 8. No autofluorescence to ensure experimental accuracy
- 9. Pressure-sensitive film to improve experimental convenience and optical data accuracy



Item No.	Volume	Color	Skirt	Type	Non-enzyme	Packaging Specifications
310196	0.1ml	Transparent	Non-skirt	General	Yes	10pcs/bag, 50pcs/carton
310096	0.1ml	Transparent	Half-skirt	Roche	Yes	10pcs/bag, 50pcs/carton
313196	0.1ml	White	Non-skirt	General	Yes	10pcs/bag, 50pcs/carton
313096	0.1ml	White	Half-skirt	Roche	Yes	10pcs/bag, 50pcs/carton
310396	0.1ml	Transparent	Half-skirt	ABI	Yes	10pcs/bag, 50pcs/carton
310596	0.1ml	Transparent	Full-skirt	Workstation	Yes	10pcs/bag, 50pcs/carton
313596	0.1ml	White	Full-skirt	Workstation	Yes	10pcs/bag, 50pcs/carton
320196	0.2ml	Transparent	Non-skirt	General	Yes	10pcs/bag, 50pcs/carton
320096	0.2ml	Transparent	Half-skirt	Roche	Yes	10pcs/bag, 50pcs/carton
323196	0.2ml	White	Non-skirt	General	Yes	10pcs/bag, 50pcs/carton
323096	0.2ml	White	Half-skirt	Roche	Yes	10pcs/bag, 50pcs/carton
320396	0.2ml	Transparent	Half-skirt	ABI	Yes	10pcs/bag, 50pcs/carton
326000(sealing film)	—	Transparent	—	—	Yes	100pcs/carton
326010(sealing film)	—	Transparent	—	—	Yes	100pcs/carton
326020(sealing film)	—	Transparent	—	—	Yes	100pcs/carton



320196/323196

Dimensions=mm

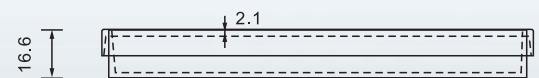
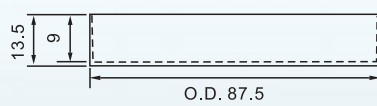
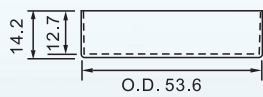
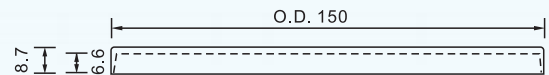
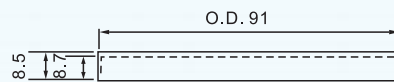
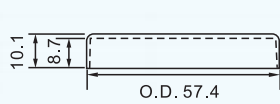
Petri Dishes

Features

- High Clarity polystyrene material
- Three sizes of 60mm, 100mm and 150mm are available
- Breathable design for easy gas exchange
- Stackable for easy storage and handling
- Sterile by E-beam



Item No.	Product Size	Stacked Design	Sterile	Packaging Specifications
401560	60mm	Yes	Yes	10pcs/bag,50bags/carton
401690	90mm	Yes	Yes	10pcs/bag,50bags/carton
401515	150mm	Yes	Yes	10pcs/bag,20bags/carton



401560

401690

401515

Dimensions=mm

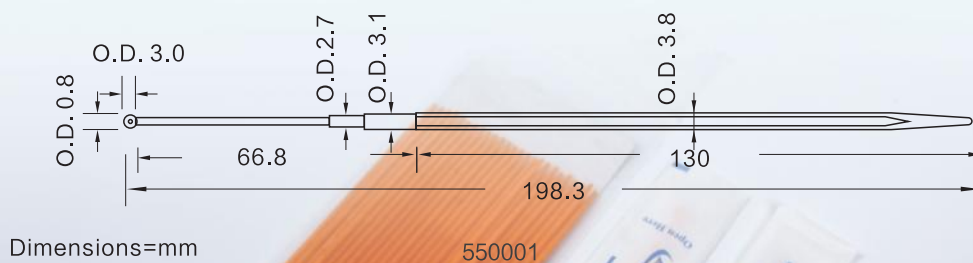
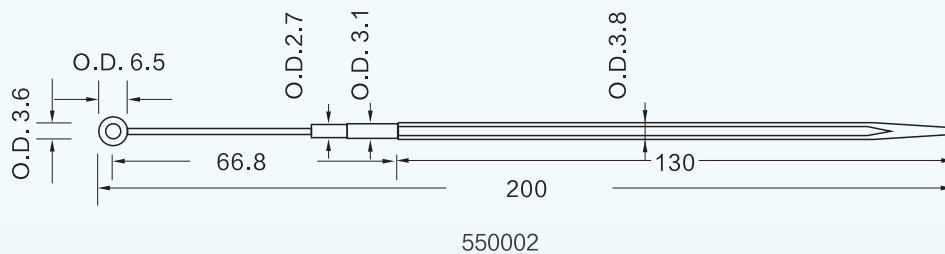


Inoculating Loops & Needles

Features

- Medical grade polystyrene material
- High toughness, easy to line and point planting
- Available in 1 μl and 10 μl. The ring mouth is strictly measured to improve the accuracy of the inoculation volume.
- The other end of the inoculation loop can be used as an inoculation needle
- E-Beam sterilization
- Ziplock bag packaging with fancy instruction card inside to protect product from damage during shipping

Item No.	Volume	Color	Sterile	Non-enzyme	Packaging Specifications
550001	1 μL	Blue	Yes	Yes	25pcs/bag, 40bag/carton
550101	1 μL	Blue	Yes	Yes	Individually Wrapped, 500pcs/carton
550002	10 μL	Orange	Yes	Yes	25pcs/bag, 40bag/carton
550102	10 μL	Orange	Yes	Yes	Individually Wrapped, 500pcs/carton



Dimensions=mm



Cell Spreader

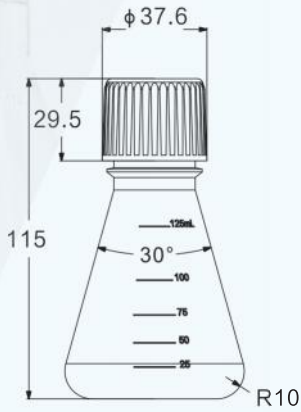
Features

- Medical grade polystyrene material
- Smooth surface, tail up design reduces damage to AGAR surface
- The L-shaped design is easy to use
- E-beam
- Provide individually paper-plastic bag packaging or 10 pieces/zipper bag packaging, with fancy cards in the ziplock bag to protect the safety

Item No.	Color	Sterile	Non-enzyme	Packaging	Packaging Specifications
560001	Orange	Yes	Yes	Individual	500pcs/carton
560010	Orange	Yes	Yes	Bulk	10pcs/bag,50bags/carton



Dimensions=mm



570125

PC Conical Flasks

Features

- Medical grade polycarbonate material
- Various specifications and capacities are available
- Cap options: sealing cover and 0.2um breathable cover according to the experimental requirements
- Temperature tolerance range: -80°C-121°C
- E-beam sterilization
- DNase free, RNase free, Endotoxin free

Item No.	Volume	Sterile	Non-enzyme	Packaging Specifications
570125	125ml	Yes	Yes	1pcs/bag,24pcs/carton
570250	250ml	Yes	Yes	1pcs/bag,12pcs/carton
570500	500ml	Yes	Yes	1pcs/bag,12pcs/carton
571000	1000ml	Yes	Yes	1pcs/bag,6pcs/carton
572800	2.8L	Yes	Yes	1pcs/bag,6pcs/carton
575000	5L	Yes	Yes	1pcs/bag,4pcs/carton



Gloves

Features

- Gloves available in powder-free latex and nitrile
- Hypoallergenic gloves, original in Malaysia, no protein, no allergic reaction
- Glove texture design, easy to wear and grasp operation, rolled edge bowl design, more efficient take off and wear
- Compliant with EU standards, passed biocompatibility testing

Item No.	Material	Size	Color	Packaging Specifications
520001	Nitrile	XS	Blue	100pcs/rack,10racks/carton
520002	Nitrile	S	Blue	100pcs/rack,10racks/carton
520003	Nitrile	M	Blue	100pcs/rack,10racks/carton
520004	Nitrile	L	Blue	100pcs/rack,10racks/carton
520005	Nitrile	XL	Blue	100pcs/rack,10racks/carton
530001	Latex	XS	Natural	100pcs/rack,10racks/carton
530002	Latex	S	Natural	100pcs/rack,10racks/carton
530003	Latex	M	Natural	100pcs/rack,10racks/carton
530004	Latex	L	Natural	100pcs/rack,10racks/carton
530005	Latex	XL	Natural	100pcs/rack,10racks/carton

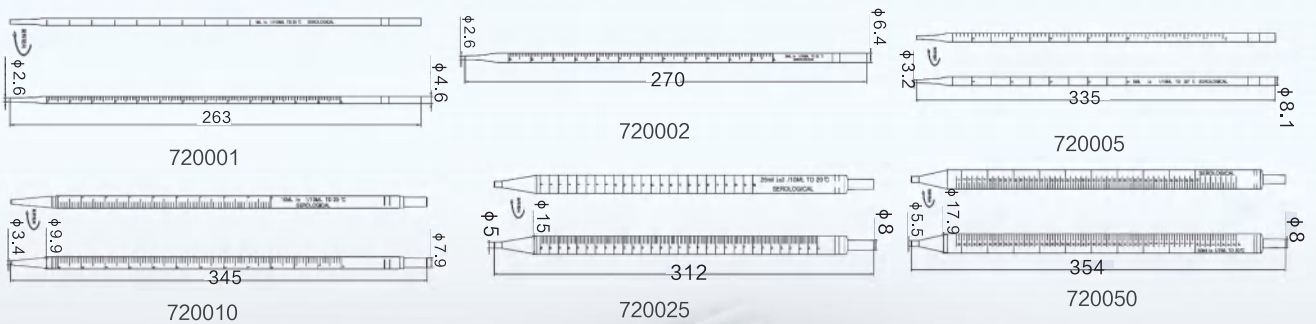


Serological Pipettes

Features

- High clarity PS material
- Available in 1ml, 2ml, 5ml, 10ml, 25ml, 50ml, 100ml volume for options
- Ascending and descending bidirectional scale design for easy clarify the remaining liquid quantity
- Polyolefin filter, effectively prevent damage to pipetting equipment caused by excessive suction
- Edged color-coded band for identification
- Electron beam sterilization, Non-pyrogen, DNase-free, RNase-free, Endotoxin-free
- Package options: individually and bulk pack

Item No.	Volume	Color	pipette Nozzle style	Sterile	Non-enzyme	Packaging	Packaging Specifications
720001	1ml	Yellow	one piece (extrusion style)	Yes	Yes	Individually Wrapped, paper-plastic Bag	50pcs/bag, 10bags/carton
720002	2ml	Green	one piece (extrusion style)	Yes	Yes	Individually Wrapped, paper-plastic Bag	50pcs/bag, 10bags/carton
720005	5ml	Blue	one piece (extrusion style)	Yes	Yes	Individually Wrapped, paper-plastic Bag	50pcs/bag, 10bags/carton
720010	10ml	Orange	two pieces (sonic welding style)	Yes	Yes	Individually Wrapped, paper-plastic Bag	50pcs/bag, 8bags/carton
720025	25ml	Red	two pieces (sonic welding style)	Yes	Yes	Individually Wrapped, paper-plastic Bag	25pcs/bag, 8bags/carton
720050	50ml	Black	two pieces (sonic welding style)	Yes	Yes	Individually Wrapped, paper-plastic Bag	25pcs/bag, 4bags/carton
720100	100ml	Purple	two pieces (sonic welding style)	Yes	Yes	Individually Wrapped, paper-plastic Bag	25pcs/bag, 4bags/carton
721001	1ml	Yellow	one piece (extrusion style)	Yes	Yes	Individually Wrapped, plastic Bag	50pcs/bag, 10bags/carton
721002	2ml	Green	one piece (extrusion style)	Yes	Yes	Individually Wrapped, plastic Bag	50pcs/bag, 10bags/carton
721005	5ml	Blue	one piece (extrusion style)	Yes	Yes	Individually Wrapped, plastic Bag	50pcs/bag, 10bags/carton
721010	10ml	Orange	one piece (extrusion style)	Yes	Yes	Individually Wrapped, plastic Bag	50pcs/bag, 8bags/carton
721025	25ml	Red	two pieces (sonic welding style)	Yes	Yes	Individually Wrapped, plastic Bag	25pcs/bag, 8bags/carton
721050	50ml	Black	two pieces (sonic welding style)	Yes	Yes	Individually Wrapped, plastic Bag	25pcs/bag, 4bags/carton
721100	100ml	Purple	two pieces (sonic welding style)	Yes	Yes	Individually Wrapped, plastic Bag	25pcs/bag, 4bags/carton



Dimensions=mm

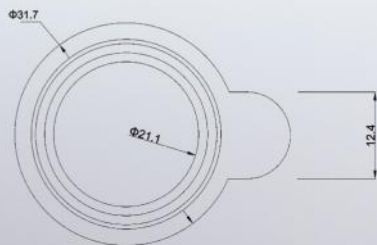
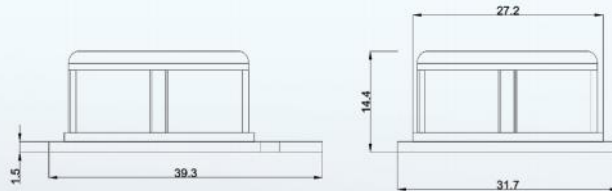


Cell Strainer

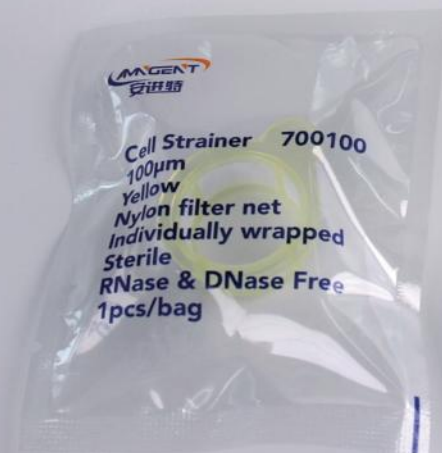
Features

- Imported nylon screen
- Available in 40 μ m, 70 μ m, 100 μ m various size
- Artificial mechanics design, round handle, easy to operate
- Fits for 50ml centrifuge tubes
- DNase-free, RNase-free, Endotoxin-free
- Individually wrapped , E-beam Sterilization

Item No.	Mesh aperture	Color	Sterile	Non-enzyme	Packing	Packaging Specifications
700040	40 μ m	Blue	Yes	Yes	Individual	100pcs/carton
700070	70 μ m	White	Yes	Yes	Individual	100pcs/carton
700100	100 μ m	Yellow	Yes	Yes	Individual	100pcs/carton



Dimensions=mm

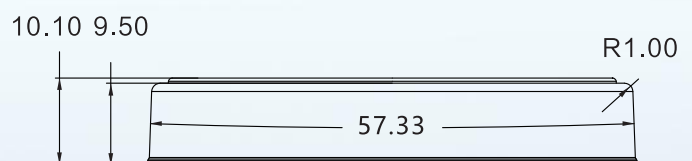
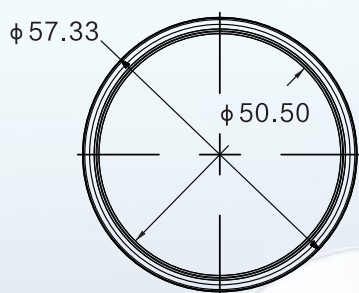


Cell Culture Dishes

Features

- High transparency polystyrene material
- The bottom is flat and transparent, no light and distortion under the microscope
- Lid with stacking ring for easy stacking
- Dish lid ventilation grid design to ensure gas exchange
- Vacuum plasma TC treatment, excellent cell attachment
- E-beam Sterilization
- Pyrogen-free, Endotoxin-free

Item No.	Size	TC Treated	Grip ring	Sterile	Non-enzyme	Packaging Specifications
760035	35 x 10mm	Yes	without	No	Yes	20pcs/bag, 25bags/carton
760060	60 x 15mm	Yes	without	No	Yes	20pcs/bag, 25bags/carton
760100	100 x 20mm	Yes	without	No	Yes	10pcs/bag, 30bags/carton
760035-1	35 x 10mm	Yes	With	Yes	Yes	20pcs/bag, 25bags/carton
760060-1	60 x 15mm	Yes	With	Yes	Yes	20pcs/bag, 25bags/carton
760100-1	100 x 20mm	Yes	With	Yes	Yes	10pcs/bag, 30bags/carton
760150-1	150 x 20mm	Yes	With	Yes	Yes	5pcs/bag, 12bags/carton
762035	35 x 10mm	No	With	Yes	Yes	10pcs/bag, 50bags/carton
762060	60 x 15mm	No	With	Yes	Yes	10pcs/bag, 50bags/carton
762100	100 x 20mm	No	With	Yes	Yes	10pcs/bag, 30bags/carton
762150	150 x 20mm	No	With	Yes	Yes	5pcs/bag, 12bags/carton



760060
Dimensions=mm

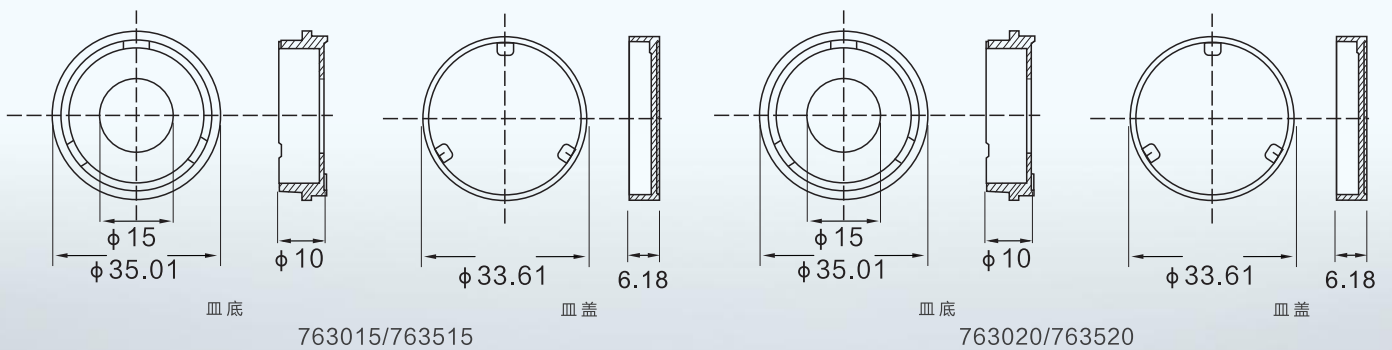


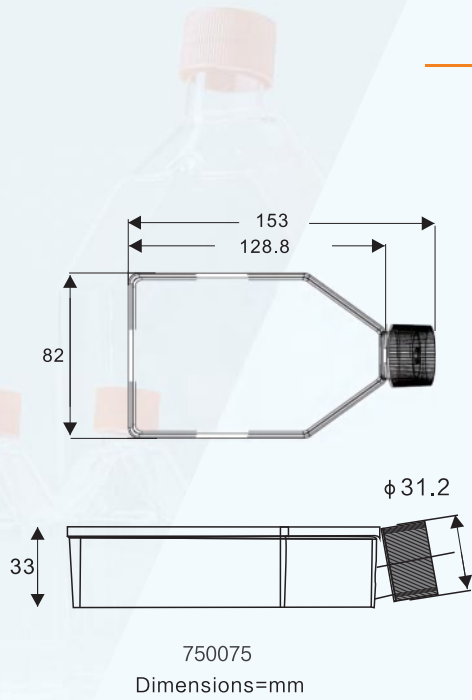
Confocal Petri Dishes

Features

- Medical grade shadowless glue, highly transparent achromatic
- For the diversity and convenience of experiments, there are multiple card positions and slots on the bottom of the dish cover.
- Imported Borosilicate glass construction, with high homogeneity, low bubble, and low inclusion content
- Glass thickness is 0.16–0.19mm
- E-beam sterile
- Endotoxin free

Item No.	Hole Diameter	TC Treated	Sterile	Dnase and Rnase Free	Packaging Specifications
763015	15mm	Yes	Yes	Yes	10pcs/bag, 20bags/carton
763020	20mm	Yes	Yes	Yes	10pcs/bag, 20bags/carton
763515	15mm	Yes	Yes	Yes	Blister individual packaging, 20pcs/box, 10boxes/carton
763520	20mm	Yes	Yes	Yes	Blister individual packaging, 20pcs/box, 10boxes/carton



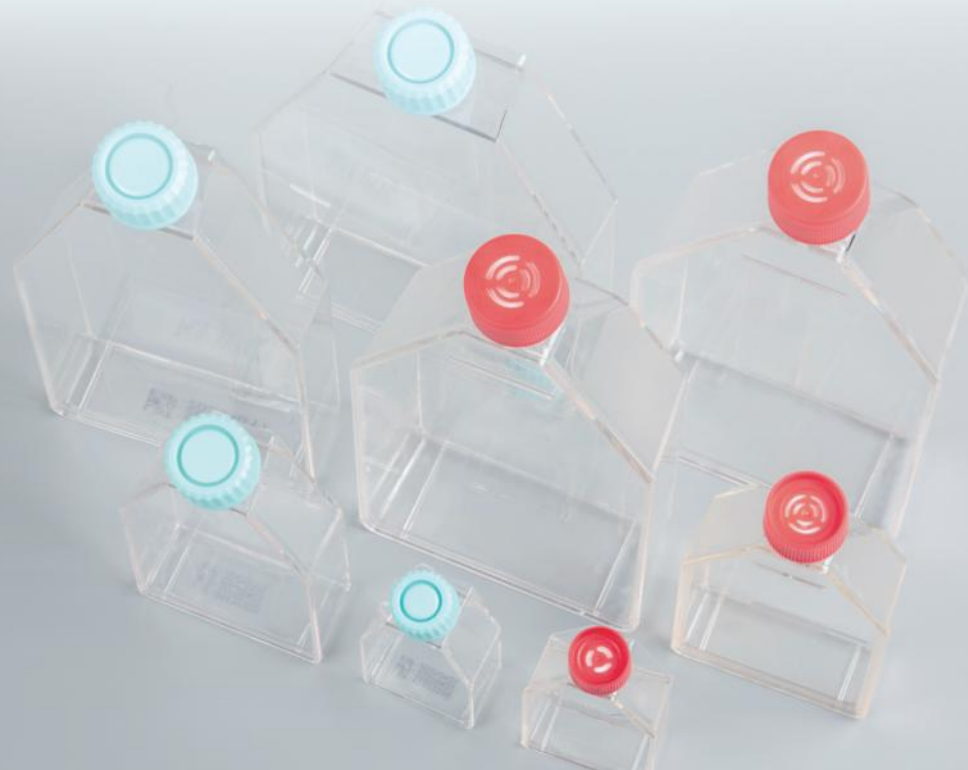


Cell Culture Flasks

Features

- Stackable, polystyrene
- Cell culture surface treatment promotes cell attachment and growth
- Tested for sterility, toxicity, cell attachment, and growth promotion
- Optically clear surfaces provide distortion-free microscope viewing
- Sterile and nonpyrogenic
- Molded graduations & Frosted marking areas on both sides

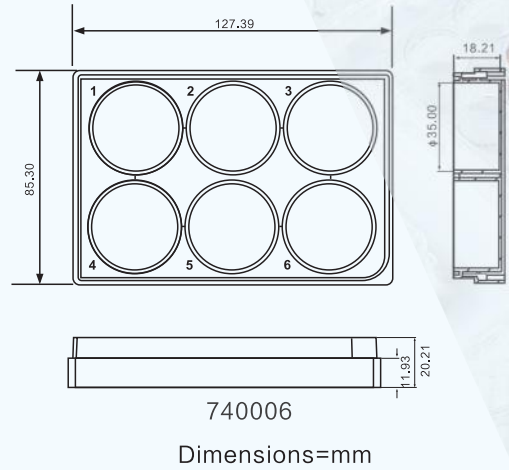
Item No.	Culture area	Volume	Cover	TC Treated	Sterile	Non-enzyme	Packaging Specifications
750025	25cm ²	50ml	Breathable	Yes	Yes	Yes	12pcs/bag, 25bags/carton
750075	75cm ²	250ml	Breathable	Yes	Yes	Yes	5pcs/bag, 18bags/carton
750175	175cm ²	750ml	Breathable	Yes	Yes	Yes	5pcs/bag, 10bags/carton
750225	225cm ²	950ml	Breathable	Yes	Yes	Yes	5pcs/bag, 5bags/carton
751025	25cm ²	50ml	Breathable	Yes	Yes	Yes	10pcs/bag, 20bags/carton
751075	75cm ²	250ml	Breathable	Yes	Yes	Yes	5pcs/bag, 20bags/carton
751175	175cm ²	750ml	Breathable	Yes	Yes	Yes	5pcs/bag, 10bags/carton
751225	225cm ²	950ml	Breathable	Yes	Yes	Yes	5pcs/bag, 5bags/carton
752025	25cm ²	50ml	Sealed	No	Yes	Yes	10pcs/bag, 20bags/caron
752075	75cm ²	250ml	Sealed	No	Yes	Yes	5pcs/bag, 20bags/carton
752175	175cm ²	750ml	Sealed	No	Yes	Yes	5pcs/bag, 10bags/carton
752225	225cm ²	950ml	Sealed	No	Yes	Yes	5pcs/bag, 10bags/carton
753025	25cm ²	50ml	Sealed	No	Yes	Yes	10pcs/bag, 20bags/caron
753075	75cm ²	250ml	Sealed	No	Yes	Yes	5pcs/bag, 20bags/carton
753175	175cm ²	750ml	Sealed	No	Yes	Yes	5pcs/bag, 10bags/carton
753225	225cm ²	950ml	Sealed	No	Yes	Yes	5pcs/bag, 10bags/carton



Cell Culture Plates

Features

- High transparency polystyrene material
- Removable , dedicated to Elisa experiments
- Comply with ANSI-SBS standard, CV value between holes <5%
- DNase-free, RNase-free, Endotoxin-free



Item No.	Dimension	Seeding density	Growth medium (ml)	TC Treated	Sterile	Non-enzyme	Packing	Packaging Specifications
740006	6-well, 84.4x127.6mm	9.5cm ²	1.9-2.9ml	Yes	Yes	Yes	Individual	50pcs/carton
740012	12-well, 84.4x127.6mm	3.6cm ²	0.76-1.14ml	Yes	Yes	Yes	Individual	50pcs/carton
740024	24-well, 84.4x127.6mm	1.9cm ²	0.38-0.57ml	Yes	Yes	Yes	Individual	50pcs/carton
740048	48-well, 84.4x127.6mm	0.88cm ²	0.19-0.285ml	Yes	Yes	Yes	Individual	50pcs/carton
740096	96-well, 84.4x127.6mm	0.32cm ²	0.1-0.2ml	Yes	Yes	Yes	Individual	50pcs/carton
742006	6-well, 84.4x127.6mm	9.5cm ²	1.9-2.9ml	No	Yes	Yes	Individual	50pcs/carton
742012	12-well, 84.4x127.6mm	3.6cm ²	0.76-1.14ml	No	Yes	Yes	Individual	50pcs/carton
742024	24-well, 84.4x127.6mm	1.9cm ²	0.38-0.57ml	No	Yes	Yes	Individual	50pcs/carton
742048	48-well, 84.4x127.6mm	0.88cm ²	0.19-0.285ml	No	Yes	Yes	Individual	50pcs/carton
742096	96-well, 84.4x127.6mm	0.32cm ²	0.1-0.2ml	No	Yes	Yes	Individual	50pcs/carton



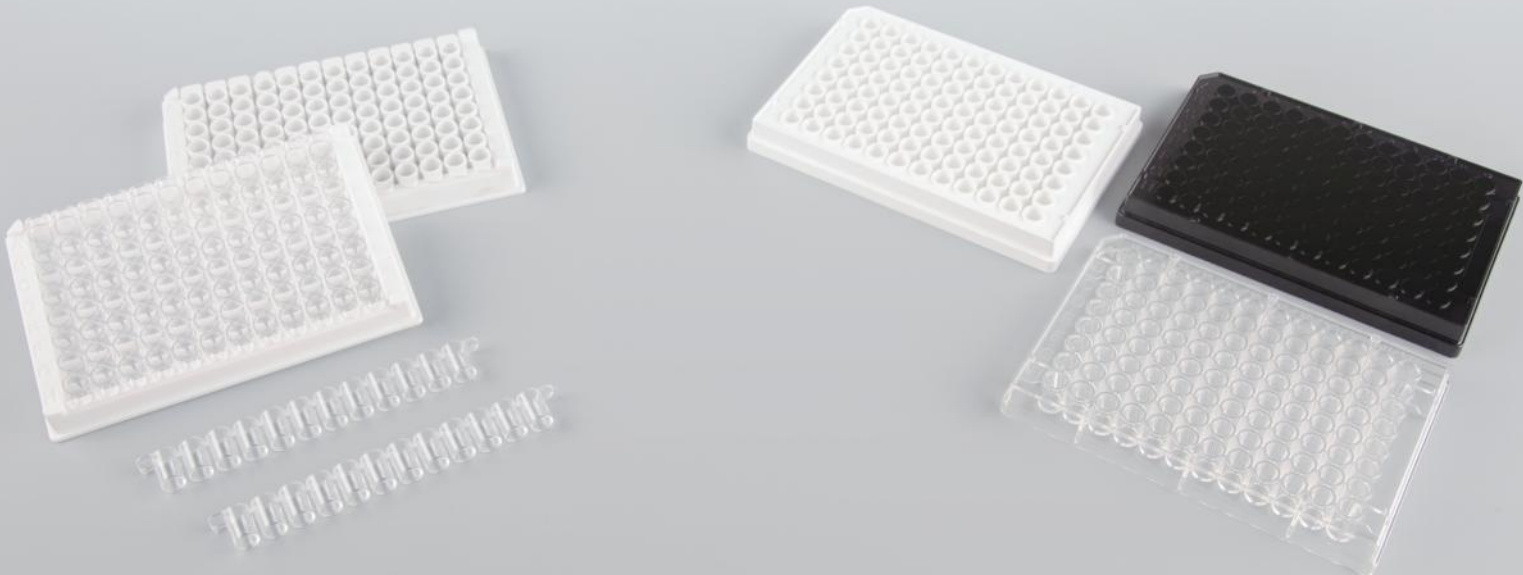
ELISA Plate

Features



- PS material, designed for ELISA method
- Conform to SBS/ ANSI
- Both detachable and undetectable plates are available
- Flat and transparent bottom
- Excellent well uniformity, CV <5%
- Transparent Plate: Suitable for solid phase immune detection and combining quantitative and qualitative detection
- White Plate: Suitable for spontaneous light, chemiluminescence
- Black Plate: Suitable for fluorescence immunoassay test and combining with the test

Item No.	Culture area	Color	Type	Binding	Packaging Specifications
670001	0.3ml	Transparent	Non-detachable Medium	Middle	10pcs/bag, 20bags/carton
670010	0.3ml	Transparent	Non-detachable High	High	10pcs/bag, 20bags/carton
670002	0.3ml	White	Non-detachable Medium	Middle	10pcs/bag, 20bags/carton
670020	0.3ml	White	Non-detachable High	High	10pcs/bag, 20bags/carton
670003	0.3ml	Black	Non-detachable Medium	Middle	10pcs/bag, 20bags/carton
670030	0.3ml	Black	Non-detachable High	High	10pcs/bag, 20bags/carton
672001	0.4ml	Transparent	F8*12	High	10pcs/bag, 20bags/carton
672101	0.4ml	White	F8*12	High	10pcs/bag, 20bags/carton
672102	0.4ml	White	F12*8	High	10pcs/bag, 20bags/carton





Biobank Consumables Solutions

Biobank is one of the three main businesses of AMNGENT. Positioning on the two development factors of standardization and informatization, AMNGENT provides customers with systematic consumables solutions from the aspects of clinical collection, sample processing, sample storage and achievement transformation of biobank.

Traditional Cryogenic Vials

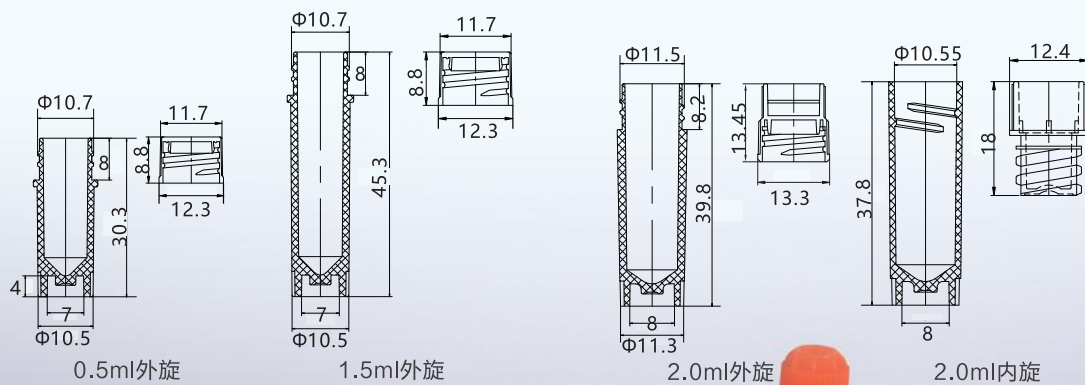
Feature

- Medical grade PP material
- Available in 0.5ml, 1.0ml, 1.5ml, 2.0ml and 5.0ml for options
- 0.5ml, 1.5ml are suitable for 100wells standard Cryovial box, 2.0ml is suitable for 81wells standard Cryovial box
- Cap color for options: Red, Yellow, Blue, Green, White, Purple, Orange
- E-Beam Sterile, RNase & DNase Free, Endotoxin Free

Specification

- Temperature range: stable from -196°C to 121°C
- Nitrogen canister storage

Item No.	Volume	Color	Type	Cap Style	Sterile	Packaging Specifications
66005[X=0,1,2,3,4,5,6]	0.5ml	White/red/green/blue/yellow/purple/orange	External Thread	Flat cap	Yes	50pcs/bag, 20bags/carton
66010[X=0,1,2,3,4,5,6]	1.0ml	White/red/green/blue/yellow/purple/orange	External Thread	Flat cap	Yes	50pcs/bag, 20bags/carton
66015[X=0,1,2,3,4,5,6]	1.5ml	White/red/green/blue/yellow/purple/orange	External Thread	Flat cap	Yes	50pcs/bag, 20bags/carton
66120[X=0,1,2,3,4,5,6]	2.0ml	White/red/green/blue/yellow/purple/orange	External Thread	No insert	Yes	50pcs/bag, 20bags/carton
66220[X=0,1,2,3,4,5,6]	2.0ml	White/red/green/blue/yellow/purple/orange	External Thread	Flat cap	Yes	50pcs/bag, 20bags/carton
66121[X=0,1,2,3,4,5,6]	2.0ml	White/red/green/blue/yellow/purple/orange	Internal Thread	No insert	Yes	50pcs/bag, 20bags/carton
66221[X=0,1,2,3,4,5,6]	2.0ml	White/red/green/blue/yellow/purple/orange	Internal Thread	No insert	Yes	50pcs/bag, 20bags/carton
66050[X=0,1,2,3,4,5,6]	5.0m	White/red/green/blue/yellow/purple/orange	External Thread	Automatic cap	Yes	50pcs/bag, 20bags/carton
66000Xcap plug series[X=0,1,2,3,4,5]	fitted2.0ml	White/red/green/blue/yellow/purple	fitted with internal cap	—	Yes	200pcs/bag, 10bags/carton



Dimensions=mm



2D Cryogenic Vials

Feature

- Medical grade PP material
- Available in 0.5ml, 1.0ml, 1.5ml, 2ml and 5ml for options
- 0.5ml, 1.5ml, 2ml and 5ml Suitable for 10*10 cryovial boxes to increase storage capacity
- Cap Color for options: Red, Yellow, Blue, Green, White, Purple, Orange
- E-Beam Sterile, RNase & DNase Free, Endotoxin Free, Exogenous DNA Free
- Bottom QR code, Side barcode and digital code (3-in-1), all tubes coded message is unique

Specification

- Temperature range : stable from -196°C to 121°C



Item No.	Volume	Color	Type	Side barcode	Bottom or Code	Sterile	Packaging Specifications
67005X[X=0,1,2,3,4,5,6]	0.5ml	White/red/green/blue/yellow/purple/orange	External Thread	Yes	No	Yes	50pcs/bag, 20bags/carton
67010X[X=0,1,2,3,4,5,6]	1.0ml	White/red/green/blue/yellow/purple/orange	External Thread	Yes	No	Yes	0pcs/bag, 20bags/carton
67015X[X=0,1,2,3,4,5,6]	1.5ml	White/red/green/blue/yellow/purple/orange	External Thread	Yes	No	Yes	50pcs/bag, 20bags/carton
67120X[X=0,1,2,3,4,5,6]	2.0ml	White/red/green/blue/yellow/purple/orange	External Thread	Yes	No	Yes	50pcs/bag, 20bags/carton
67220X[X=0,1,2,3,4,5,6]	2.0ml	White/red/green/blue/yellow/purple/orange	External Thread Flat cap	Yes	No	Yes	50pcs/bag, 20bags/carton
67121X[X=0,1,2,3,4,5,6]	2.0ml	White/red/green/blue/yellow/purple/orange	Internal Thread	Yes	No	Yes	50pcs/bag, 20bags/carton
67221X[X=0,1,2,3,4,5,6]	2.0ml	White/red/green/blue/yellow/purple/orange	Internal Thread with cap plug	Yes	No	Yes	50pcs/bag, 20bags/carton
67050X[X=0,1,2,3,4,5,6]	5.0ml	White/red/green/blue/yellow/purple/orange	External Thread automatic cap	Yes	No	Yes	50pcs/bag, 20bags/carton
67605X[X=0,1,2,3,4,5,6]	0.5ml	White/red/green/blue/yellow/purple/orange	External Thread	Yes	Yes	Yes	50pcs/bag, 10bags/inner box, 2inner boxes/carton
67615X[X=0,1,2,3,4,5,6]	1.5ml	White/red/green/blue/yellow/purple/orange	External Thread	Yes	Yes	Yes	50pcs/bag, 10bags/inner box, 2inner boxes/carton
67620X[X=0,1,2,3,4,5,6]	2.0ml	White/red/green/blue/yellow/purple/orange	External Thread	Yes	Yes	Yes	50pcs/bag, 10bags/inner box, 2inner boxes/carton
67820X[X=0,1,2,3,4,5,6]	2.0ml	White/red/green/blue/yellow/purple/orange	External Thread automatic cap	Yes	Yes	Yes	50pcs/bag, 10bags/inner box, 2inner boxes/carton
67621X[X=0,1,2,3,4,5,6]	2.0ml	White/red/green/blue/yellow/purple/orange	Internal Thread	Yes	Yes	Yes	50pcs/bag, 10bags/inner box, 2inner boxes/carton
67850X[X=0,1,2,3,4,5,6]	5.0ml	White/red/green/blue/yellow/purple/orange	External Thread automatic cap	Yes	Yes	Yes	50pcs/bag, 10bags/inner box, 2inner boxes/carton
68005X[X=0,1,2,3,4,5,6]	0.5ml	White/red/green/blue/yellow/purple/orange	External Thread	Yes	Yes	Yes	100pcs/rack, 5racks/inner box, 10inner boxes/carton
68010X[X=0,1,2,3,4,5,6]	1.0ml	White/red/green/blue/yellow/purple/orange	External Thread	Yes	Yes	Yes	100pcs/rack, 5racks/inner box, 10inner boxes/carton
68015X[X=0,1,2,3,4,5,6]	1.5ml	White/red/green/blue/yellow/purple/orange	External Thread	Yes	Yes	Yes	100pcs/rack, 5racks/inner box, 10inner boxes/carton
68121X[X=0,1,2,3,4,5,6]	2.0ml	White/red/green/blue/yellow/purple/orange	Internal Thread	Yes	Yes	Yes	100pcs/rack, 5racks/inner box, 10inner boxes/carton
68120X[X=0,1,2,3,4,5,6]	2.0ml	White/red/green/blue/yellow/purple/orange	External Thread	Yes	Yes	Yes	100pcs/rack, 5racks/inner box, 10inner boxes/carton
68820X[X=0,1,2,3,4,5,6]	2.0ml	White/red/green/blue/yellow/purple/orange	External Thread automatic cap	Yes	Yes	Yes	100pcs/rack, 5racks/inner box, 10inner boxes/carton
68850X[X=0,1,2,3,4,5,6]	5.0ml	White/red/green/blue/yellow/purple/orange	External Thread automatic cap	Yes	Yes	Yes	81pcs/rack, 5racks/inner box, 10inner boxes/carton
68805X[X=0,1,2,3,4,5,6]	0.5ml	White/red/green/blue/yellow/purple/orange	External Thread automatic cap	Yes	Yes	Yes	100pcs/rack, 5racks/inner box, 10inner boxes/carton
68815X[X=0,1,2,3,4,5,6]	1.5ml	White/red/green/blue/yellow/purple/orange	External Thread automatic cap	Yes	Yes	Yes	100pcs/rack, 5racks/inner box, 10inner boxes/carton
68820X[X=0,1,2,3,4,5,6]	2.0ml	White/red/green/blue/yellow/purple/orange	External Thread automatic cap	Yes	Yes	Yes	100pcs/rack, 5racks/inner box, 10inner boxes/carton
68850X[X=0,1,2,3,4,5,6]	5.0ml	White/red/green/blue/yellow/purple/orange	External Thread automatic cap	Yes	Yes	Yes	100pcs/rack, 5racks/inner box, 10inner boxes/carton



SBS Cryogenic Vials

Feature

- Tube Medical grade PP material; Rack: PC material
- Available in 0.5ml, 0.75ml, 1.0ml and 2.0ml volumes for options
- Automatic caps is suitable for single-channel and multi-channel automatic cap opener
- Suitable for SBS cryogenic racks, 0.5ml and 1ml are suitable for 96wells rack, 2.0ml is suitable for 48wells rack
- E-Beam Sterile, RNase & DNase Free, Endotoxin Free
- Bottom QR code, Side barcode and digital code (3-in-1) , all coded message on the tube is same and unique.To ensure sample information security

Item No.	Volume	Style	Type	3-in-1	Sterile	Packaging Specifications
674500	0.5ml	Bag Pack	External Thread	Yes	Yes	96pcs/bag,20bag/carton
674750	0.75ml	Bag Pack	External Thread	Yes	Yes	96pcs/bag,20bag/carton
674101	1.0ml	Bag Pack	External Thread	Yes	Yes	96pcs/bag,20bag/carton
674201	2.0ml	Bag Pack	External Thread	Yes	Yes	48pcs/bag,20bag/carton
684500	0.5ml	SBS tube+SBS rack	External Thread	Yes	Yes	96pcs/rack, 10racks/inner box,20racks/Carton
684750	0.75ml	SBS tube+SBS rack	External Thread	Yes	Yes	96pcs/rack, 10racks/inner box,20racks/Carton
684101	1.0ml	SBS tube+SBS rack	External Thread	Yes	Yes	96pcs/rack, 10racks/inner box,20racks/Carton
684201	2.0ml	SBS tube+SBS rack	External Thread	Yes	Yes	48pcs/rack, 10racks/inner box,20racks/Carton



Carboard Cryo boxes

Feature

- Made from strong durable cardboard with superior white outer coatings
- Surface water proofing
- white glossy film and color matte film for options
- Writing area on the cover for easy sample clarify
- 2inch cryovial boxes are suitable for 1.5ml and 2.0ml cryovials

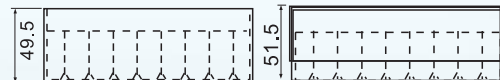
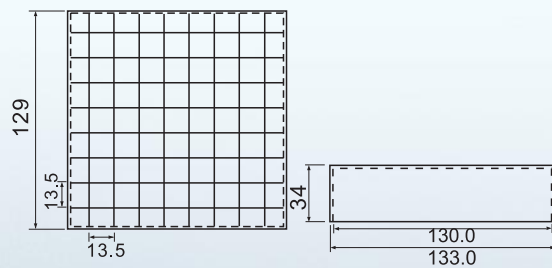


Specification

- Temperature range : stable from -196°C to 121°C

Item No.	Height	Well	Outter size	Color	Film Style	Packaging Specifications
810281	2 Inch	81-well	133*133*52mm	White	White Glossy Film	5pcs/pack, 10packs/carton
810200	2 Inch	100-well	133*133*52mm	White	White Glossy Film	5pcs/pack, 10packs/carton
810316	2 Inch	16-well	133*133*62mm	Red	Red Glossy Film	4pcs/pack, 10packs/carton
810249	2 Inch	49-well	133*133*42mm	Blue	Blue Glossy Film	6pcs/pack, 10packs/carton

Dimensions=mm



810281

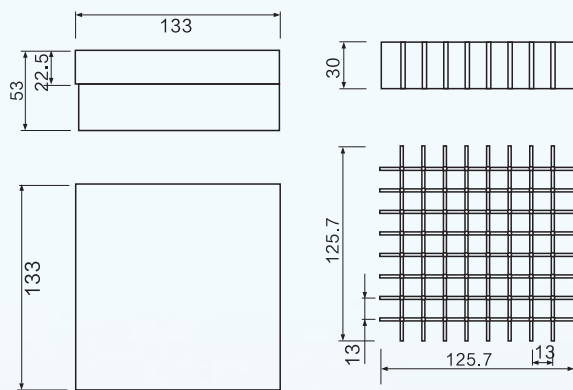


Hinged lid cardboard cryo boxes/ Rivet hinged lid boxes

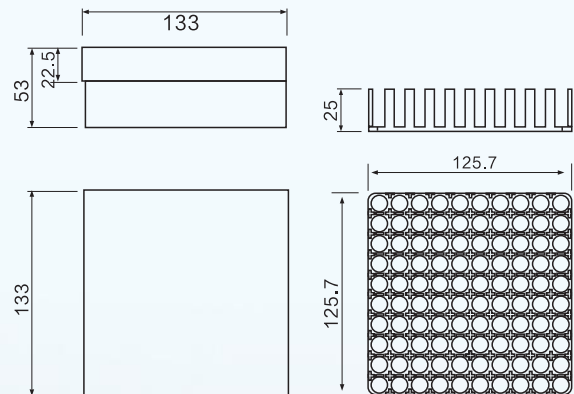
Feature

- Available in Flip type with PP block
- The box body is made of extra-thick cardboard, and the surface is covered with a waterproof film.
- Pre-set grid table no. on the box lid, printed box body number, easy to locate the sample position.
- Multi-specification cryo boxes are suitable for multi-specification cryovials or microtubes.

Item No.	Height	Well	Size	Color	Block Material	Packaging Specifications
820100	1 Inch	100-well	133*133*36mm	Blue	PP	8pcs/pack, 10packs/carton
820281	2 Inch	81-well	133*133*52mm	Blue	PP	5pcs/pack, 10packs/carton
820200	2 Inch	100-well	133*133*52mm	Blue	PP	5pcs/pack, 10packs/carton
820381	3.75 Inch	81-well	133*133*95mm	Blue	PP	3pcs/pack, 10packs/carton
830100	1 Inch	100-well	133*133*36mm	Blue	PP	5pcs/pack, 10packs/carton
830281	2 Inch	81-well	133*133*52mm	Blue	PP	5pcs/pack, 10packs/carton
830200	2 Inch	100-well	133*133*52mm	Blue	PP	5pcs/pack, 10packs/carton



820281



820200

Dimensions=mm



PP Cryo boxes

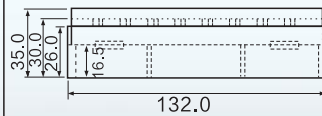
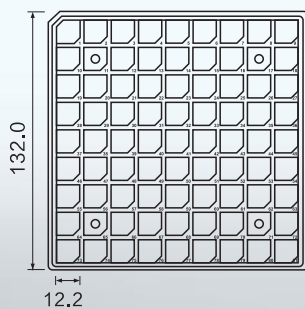
Feature

- Medical grade polypropylene material, chemically resistant to alcohols and mild organic solvents.
- Multiple colors for easy sample identification
- Available in 25-well, 81-well, 100-well removable cover, suitable for 1.5ml, 2.0ml cryovials. 100-well clamshell type suitable for 1.5ml cryovials.
- International standard size for easy adaptation to standard freezer racks.

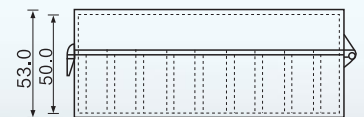
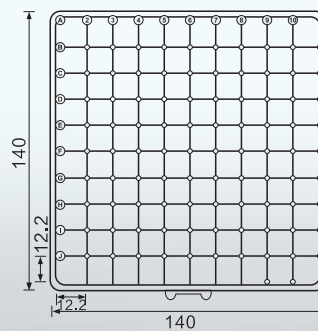
Specification

- Working temperature: stable from -80°C to 121°C

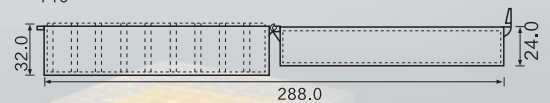
Item No.	Height	Well	Size	Color	Packaging Specifications
821281	2 Inch	81-well	132*132*52mm	Assorted Color	5pcs/pack,4packs/carton
821281-W/R/B/Y/G	2 Inch	81-well	132*132*52mm	Transparent White/red/blue/yellow/green	5pcs/pack,4packs/carton
821200	2 Inch	100-well	132*132*53mm	Assorted Color	5pcs/pack,4packs/carton
821200-W/R/B/Y/G	2 Inch	100-well	132*132*53mm	Transparent White/red/blue/yellow/green	5pcs/pack,4packs/carton
821201	2 Inch	100-well	140*154*53mm	Assorted Color	5pcs/pack,4packs/carton
821201-W/R/B/Y/G	2 Inch	100-well	140*154*53mm	Transparent White/red/blue/yellow/green	5pcs/pack,4packs/carton



821281

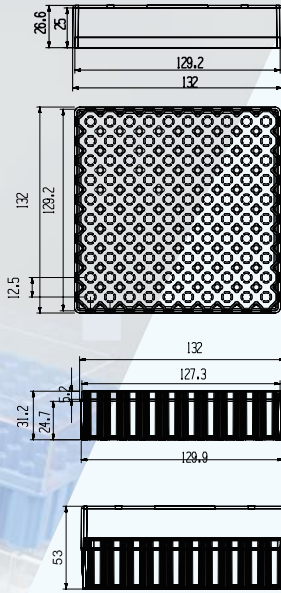
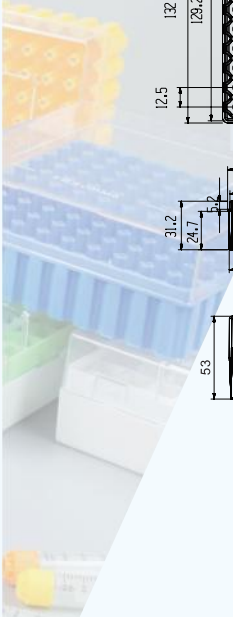


821201



Dimensions=mm





822200
Dimensions=mm

PC Cryo Boxes

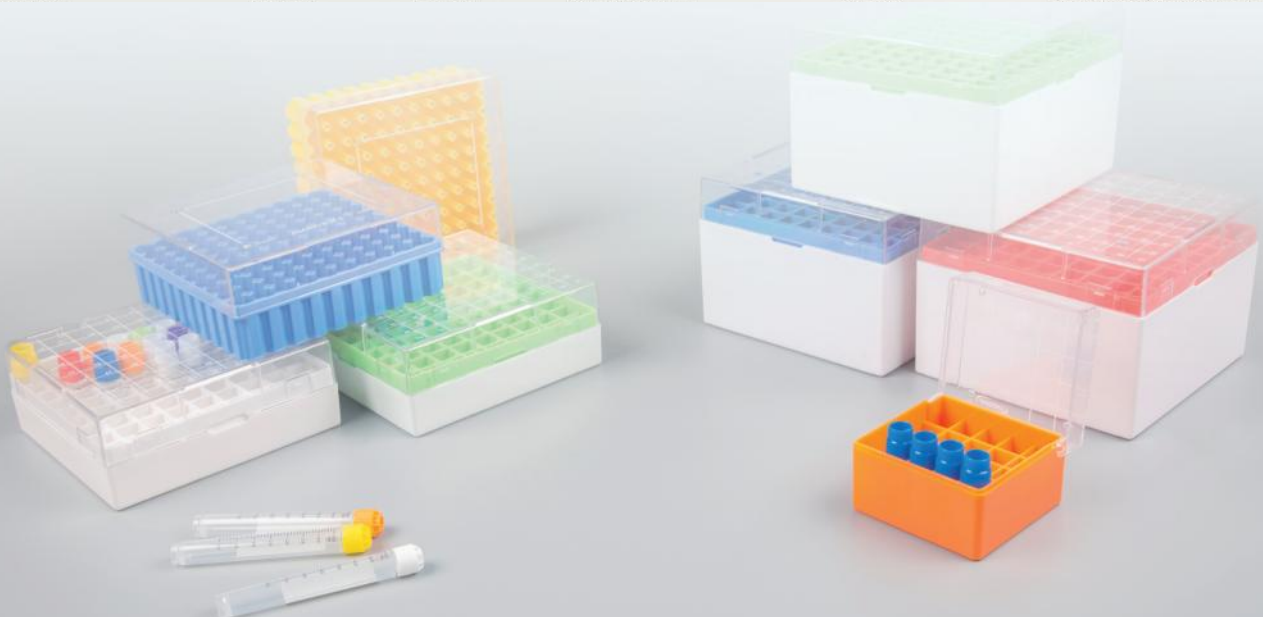
Feature

- Medical grade polycarbonate material
- Available in 25-well, 81-well, and 100-well freezer boxes, suitable for 0.5ml, 1.5ml, 2.0ml, 5.0ml cryovials and microtubes.
- The box body is preset with positioning marks, and the unique slot and line design facilitates rapid cooling.
- The box cover is designed with cut corners, which is convenient for the box cover to be placed quickly and accurately.
- Five colors for your options.

Specification

- Suitable for storage in ultra-low temperature refrigerators and liquid nitrogen environments
- Working temperature: stable from -196°C to 121°C

Item No.	Height	Well	Size	Color	Packaging Specifications
822225	2 Inch	25-well	73*73*52mm	Orange	5pcs/pack,6packs/carton
822281	2 Inch	81-well	132*132*53mm	Assorted Color	5pcs/pack,4packs/carton
822281-W/R/B/Y/G	2 Inch	81-well	132*132*53mm	White/red/blue/yellow/green	5pcs/pack,4packs/carton
822200	2 Inch	100-well	132*132*53mm	Assorted Color	5pcs/pack,4packs/carton
822200-W/R/B/Y/G	2 Inch	100-well	132*132*53mm	White/red/blue/yellow/green	5pcs/pack,4packs/carton
822381	3.75Inch	81-well	133*133*96mm	Assorted Color	5pcs/pack,4packs/carton
822381-W/R/B/Y/G	3.75Inch	81-well	133*133*96mm	White/red/blue/yellow/green	5pcs/pack,4packs/carton
861100	1Inch	100-well	132*132*36mm	Orange	5pcs/pack,4packs/carton
861150	2 Inch	100-well	132*132*53mm	Orange	5pcs/pack,4packs/carton
861200	2 Inch	100-well	136*136*53mm	Orange	5pcs/pack,4packs/carton
861500	3.75Inch	100-well	133*133*96mm	Orange	5pcs/pack,4packs/carton



Gradient Cooling Boxes

Feature

- New material design, energy saving and environmental protection.
- Core cooling technology, solid core and insulating design, it can be used directly without pre-cooling.
- Suitable for 1.0ml, 1.5ml, 2.0ml cryovials
- The cooling rate is consistent, the cell recovery performance is stable, and the survival rate is high.
- In the absence of alcohol and any liquid, the cooling rate of the sample in the low temperature refrigerator can be guaranteed to be $-1^{\circ}\text{C}/\text{min}$. It can be applied to various cell types, including stem cells, Primary cell cassette cell line. The box is easy to use, just insert the cryovials and put it in the environment of -80°C . Not only can it greatly improve the user's work efficiency and the survival rate of preserved cells, but also it is safer and more worry-free for the human body, the environment and the samples.

Item No.	Volume	Match	Packaging Specifications
900112	12pcs	1.0ml, 1.5ml, 2.0ml cryogenic vials	1pcs/carton



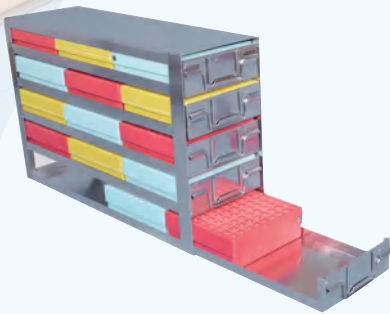


Frame Freezer Racks

Feature

- Flanging treatment, no risk of scratching.
- Replaceable color tag, it can be identified in frost conditions.
- OEM size and shape available for the customer required
- Made of imported stainless steel, resistant to high and low temperatures, and acid and alkali resistant
- The thickness of the steel plate is 0.4mm–0.5mm, and the top layer of the refrigerator is easy to take.

Item No.	Material	Size(D*W*H)	Storage capacity	Thickness	Match the size with cryobox
701212	Stainless steel	422*137*229mm	3*4	0.4mm–0.5mm	133*133*52mm
701215	Stainless steel	422*137*284mm	3*5	0.4mm–0.5mm	133*133*52mm
701216	Stainless steel	560*137*229mm	4*4	0.4mm–0.5mm	133*133*52mm
701220	Stainless steel	560*137*284mm	4*5	0.4mm–0.5mm	133*133*52mm
701224	Stainless steel	560*137*339mm	4*6	0.4mm–0.5mm	133*133*52mm
701225	Stainless steel	696*137*284mm	5*5	0.4mm–0.5mm	133*133*52mm

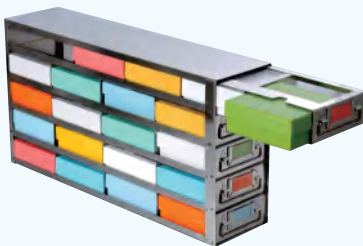


Sliding Drawer Freezer Racks

Feature

- Fold-over guide rail to reduce frost, the whole plate is stamped and formed.
- Replaceable color tag, can be identified in frost conditions.
- Made of imported stainless steel, resistant to high and low temperatures, acid and alkali.
- The thickness of the steel plate is 0.5mm–1.0mm, which is strong and durable.
- The design of the guide rail solves the problem of frosting on the shelf of the freezing rack.
- OEM ok offer : size and shape available for the customer required

Item No.	Material	Size(D*W*H)	Storage capacity	Thickness	Match the size with cryobox
702212	Stainless Steel	420*141*229mm	3*4	0.4mm–0.5mm	133*133*52mm
701215	Stainless Steel	420*141*285mm	3*5	0.4mm–0.5mm	133*133*52mm
702216	Stainless Steel	564*141*229mm	4*4	0.4mm–0.5mm	133*133*52mm
702220	Stainless Steel	560*141*285mm	4*5	0.4mm–0.5mm	133*133*52mm
702224	Stainless Steel	560*141*341mm	4*6	0.4mm–0.5mm	133*133*52mm
702225	Stainless Steel	700*141*285mm	5*5	0.4mm–0.5mm	133*133*52mm



Side Access Drawer Freezer Racks

Feature

- Electric welding, lightweight and convenient.
- Made of imported stainless steel, resistant to high and low temperatures, acid and alkali.
- The design of the guide rail solves the problem of frosting on the shelf of the freezing rack.
- The thickness of the steel plate is 0.5mm–1.0mm, which is strong and durable.
- Freezer racks can be customized according to the actual needs of users.

Item No.	Material	Size(D*W*H)	Storage capacity	Thickness	Match the size with cryobox
703212	Stainless steel	420*141*229mm	3*4	0.6–1.2mm	133*133*52mm
703216	Stainless steel	564*141*229mm	4*4	0.6–1.2mm	133*133*52mm
703220	Stainless steel	564*141*285mm	4*5	0.6–1.2mm	133*133*52mm
703224	Stainless steel	564*141*341mm	4*6	0.6–1.2mm	133*133*52mm
703225	Stainless steel	700*141*285mm	5*5	0.6–1.2mm	133*133*52mm

Horizontal Freezer Racks

Feature

- One punch forming, strong and durable.
- Made of imported stainless steel, resistant to high and low temperatures, acid and alkali.
- The thickness of the steel plate is 0.4mm–0.8 mm, and it is easy to take.
- OEM ok offer : size and shape available for the customer required



Item No.	Material	Type	Size(D*W*H)	Storage capacity	Match The Size With Cryobox
704210	Stainless steel	Hand-carrying freezer rack	143*137*560mm	1*10	133*133*52mm
704211	Stainless steel	Hand-carrying freezer rack	143*137*616mm	1*11	133*133*52mm
704212	Stainless steel	Hand-carrying freezer rack	143*137*672mm	1*12	133*133*52mm
704213	Stainless steel	Hand-carrying freezer rack	143*137*728mm	1*13	133*133*52mm
704214	Stainless steel	Hand-carrying freezer rack	143*137*784mm	1*14	133*133*52mm
704215	Stainless steel	Hand-carrying freezer rack	143*137*840mm	1*15	133*133*52mm

Self – Fixed Horizontal Freezing Rack

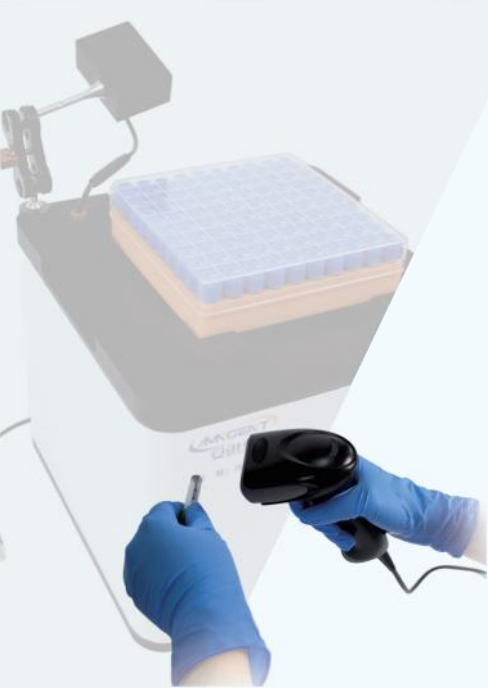
Feature

- Electric welding, lightweight and convenient.
- Made of imported stainless steel, resistant to high and low temperatures, acid and alkali.
- The design of the guide rail solves the problem of frosting on the shelf of the freezing rack.
- The thickness of the steel plate is 0.4mm–0.8mm, which is strong and durable.
- OEM ok offer : size and shape available for the customer required



Item No.	Material	Type	Size(D*W*H)	Thickness	Storage capacity
735207	Stainless steel	Hand-carrying freezer rack	137*137*394mm	0.4–0.8mm	1*7
735210	Stainless steel	Hand-carrying freezer rack	137*137*450mm	0.4–0.8mm	1*10
735213	Stainless steel	Hand-carrying freezer rack	137*137*506mm	0.4–0.8mm	1*13
735214	Stainless steel	Hand-carrying freezer rack	137*137*562mm	0.4–0.8mm	1*14
735215	Stainless steel	Hand-carrying freezer rack	137*137*618mm	0.4–0.8mm	1*15
736207	Stainless steel	Hand-carrying freezer rack of SBS box	137*137*674mm	0.4–0.8mm	1*7
736213	Stainless steel	Hand-carrying freezer rack of SBS box	137*137*751mm	0.4–0.8mm	1*13
736214	Stainless steel	Hand-carrying freezer rack of SBS box	137*137*808mm	0.4–0.8mm	1*14
736215	Stainless steel	Hand-carrying freezer rack of SBS box	137*137*865mm	0.4–0.8mm	1*15

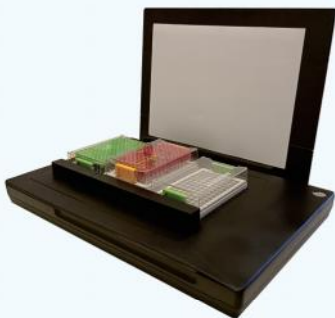
Scanning Gun & Scanner



> Scanning Gun

Feature

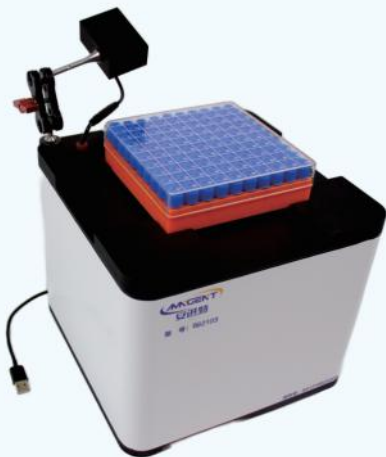
- USB link, plug and play
- Both ok scan for Barcodes and QR codes
- Infrared technology, high-speed identification



> First Generation Scanner

Feature

- Support 133*133mm double boxes simultaneous scanning
- Support SBS three boxes simultaneous scanning.
- Fast image scanning technology.
- Using open ports, it can be connected with mainstream software databases.



> Third Generation Scanner

Feature

- Compatible with any cryogenic box within 133*133mm.
- Decoding time: less than or equal to 3 seconds.
- Plug and play, no software installation required.
- Using HTTP service interface, it can be connected to any software database.





Product Name	Item No.	Type	Packaging Specifications
Scanning Gun	691101	single scanning	1 pcs/carton
First Generation Scanner	692101	rack scanning	1 set/carton
Third Generation Scanner	692103	rack scanning	1 set/carton

SBS single-tube Lid Openers

Feature

- 1 second fast automatic lid switch :open and close
- Ultra-long standby time:30days
- Silent type, switch cover noise: less than or equal to 5 dB
- The gear of the lid opener can be customized, and it is suitable for multi-brand 2D automatic freezing tubes and SBS freezing tubes

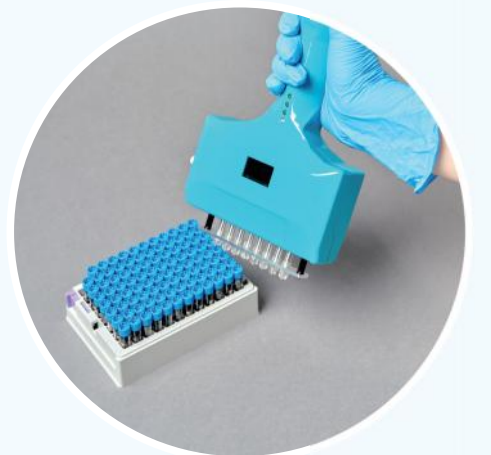





Item No.	Suitable for	suitable for cap	Packaging Specifications
696001	0.5ml/0.75ml/1.0ml SBS cryogenic tube		1pcs/carton
696002	0.5ml/01.5ml 2D auto cap cryogenic tube		1pcs/carton
696003	2.0ml 2D cryogenic tube		1pcs/carton
696004	2.0ml SBS cryogenic tube		1pcs/carton

SBS multi-tube Lid Openers

Feature

- 3 seconds fast automatic column opening and closing of the lid.
- Long battery standby time, standby time is greater than or equal to 30 days.
- Quiet type, the noise of opening and closing cover is less than or equal to 5 decibels.
- The second-generation lid opener is equipped with an LED digital display screen, and the rotation speed is optional.
- The cap opener gear can be customized to fit multiple brands of SBS cryovials.



Item No.	Channel	Suitable for	suitable for cap	Packaging Specifications
695005	5 Channe	0.5ml, 1.5ml whole plate 2D auto cap cryogenic tube		pcs/carton
695006	6 Channe	2.0ml whole plate SBS cryotube		pcs/carton
695008	8 Channe	0.5ml, 0.75ml, 1.0ml whole plate SBS cryotube		

Cryogenic Vials Lid Openers

Feature

- It is suitable for all kinds of cryovials caps within diameter of 10–30mm, and the diameter of the caps is automatically checked.
- The number of thread turns is adjustable and the accuracy is 1/360 turn.
- The speed is 180~240rpm, and the opening time is 1.5s.
- 4.3 inch LCD touch screen.
- 240V power supply, suitable for all kinds of power supply, safe operation.





Item No.	Accuracy	Speed	Opening time	Packaging Specifications
695000	1/360turn	180~240rpm	1.5s	1 set/carton

SBS Whole-box Lid Openers

Feature

- Integrate automated workflows.
- Independent motor system, real-time monitoring of torque and torsion.
- Compatible with SBS 48-well, 96-well plate rack and traditional 133*133 mm plate rack.
- The whole plate opening time is less than 10 seconds.



Item No.	Match	suitable for cap	Packaging Specifications
695096	0.5ml, 0.75ml, 1ml, 2ml whole plate SBS cryotube		1 set/carton
695100	0.5ml, 1.5ml, 2ml, 5ml 81 grid/100 grid whole box frozen storage tube		1 set/carton

Open cap pipette docking module

Feature

- Docking full plate opener and pipette workstation.
- Through the communication port or sensor, the whole box cryogenic vials : open cap – fill in liquid (Full-automatic unmanned).
- Handling time : ≤ 5 seconds/box .
- Can be customized according to customer application scenarios.

Item No.	Packaging Specifications
698000	1 set/carton

Item 698000 only includes the open cap pipette docking module, excluding the SBS full plate opener and pipette workstation. The working process is shown in the diagram



Low-temperature Label Printers & Labels

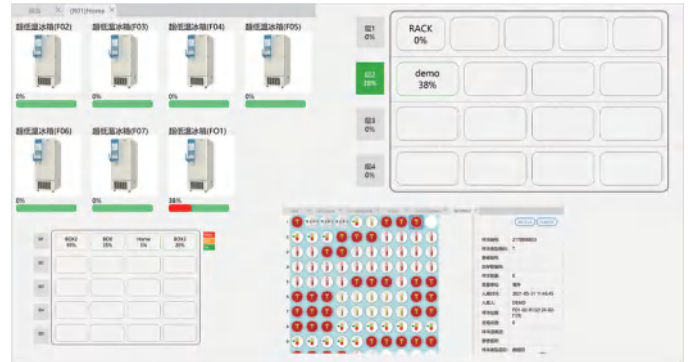
Feature

- Thermal printer, resolution 300DPI.
- 3.5-inch color display panel.
- Low temperature labels : -86 degree labels and -196 degrees liquid nitrogen labels ok offer
- Low temperature labels are resistant to chemicals and solvents.
- Available for Customized



Product Name	Item No.	Temperature	Packaging Specifications
Low-temperature Label Printers	T4000	—	1 set/carton
Ribbon	910000	—	1 roll/carton
Low Temperature Label	920200	-86℃	3000 pcs/carton
Liquid Nitrogen Label	920201	-196℃	3000 pcs/carton

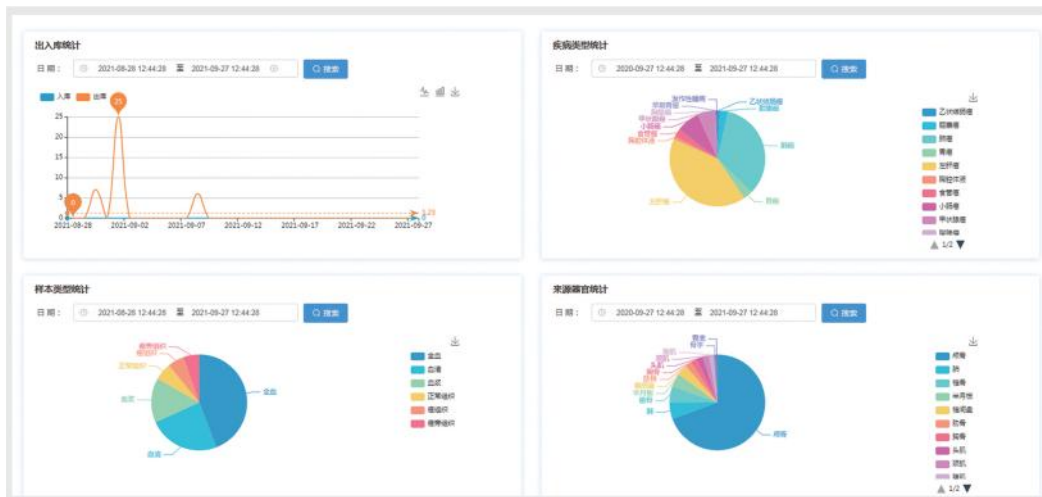
Sample Library Management Software



- Login interface sample view, sample management, space management, approval, alarm management, system management, user settings, help information and other functions are clear at a glance.
- The system can intuitively display the storage container equipment in the bacterial bank, according to the refrigerator–freezing rack–cryobox – cryovials, the storage structure is displayed on a graphical interface.



- The system supports the viewing of relevant operation logs and information change records of storage containers and strain samples through the page, so as to ensure the integrity of the data records of the samples in the library and facilitate the traceability of the samples.



- The system supports users to make statistics on the number of in-stock items on a yearly, quarterly, and monthly basis. Custom statistics can be made based on the relevant information of the stored samples, and the corresponding icons can be displayed in perspective.



IVD CONSUMABLES SOLUTIONS

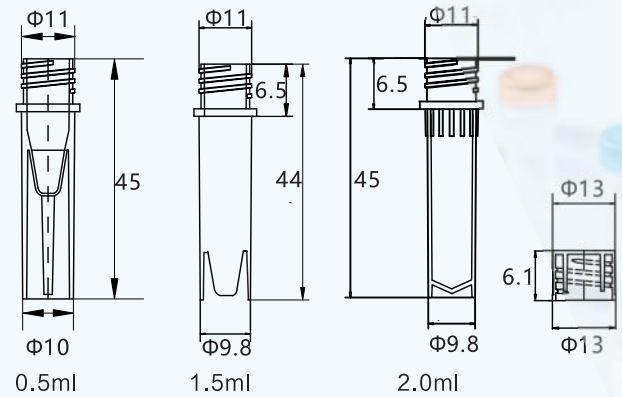
With the development of the medical market, plastic containers are widely used in medicine, in vitro diagnosis industry, and highly favored, AMNGENT with large capacity, high quality to provide a variety of plastic containers used in the synthesis of oligonucleotides, enzymes, buffers, as well as finished sample collection and transport media, from the collection, preservation, extraction and other links to provide customers with system consumable solutions

Low Screw Cap Microtubes

Feature

- Medical grade PP material with Silicon O-Ring inside
- Self-Standing Vials, External Thread, with Sealing O-Rin inside
- Sarstedt series short cap style
- Available in 0.5ml, 1.5ml, or 2.0ml volumes for options
- Test: -80Kpa negative pressure sealing
- NDase and RNase free, endotoxin free , No heavy metal
- E-beam Sterile
- Compliant with Biocompatibility test report
- Strong chemical resistance to acid and alkali alcohols

Dimensions=mm



Item No.	Volume	Color	Cap style	Sterile	No enzyme	Packaging Specifications
63000Series caps	—	Transparent/transparent Red/transparent Blue/transparent Yellow/transparent Green	Dwarf Cap	No	Yes	500pcs/bag,10bags/carton
63000XSeries caps(x=1,2,3,4,5,6,7)	—	Solid/red/green/blue/yellow/purple/orange/white	Dwarf Cap	No	Yes	500pcs/bag,10bags/carton
630050/51	0.5ml	Transparent/brown	—	No	Yes	500pcs/bag,10bags/carton
630150/151	1.5ml	Transparent/brown	—	No	Yes	500pcs/bag,10bags/carton
630200/201	2.0ml	Transparent/brown	—	No	Yes	500pcs/bag,10bags/carton
630202	2.0ml	Transparent,printing Writing Area And Scale Area	—	No	Yes	500pcs/bag,10bags/carton
63300Series caps	—	Transparent/transparent Red/transparent Blue/transparent Yellow/transparent Green	Dwarf Cap	Yes	Yes	500pcs/bag,10bags/carton
63300xSeries caps(x=1,2,3,4,5,6,7)	—	Solid /red/green/blue/yellow/purple/orange/white	Dwarf Cap	Yes	Yes	500pcs/bag,10bags/carton
633050/51	0.5ml	Transparent/brown	—	Yes	Yes	500pcs/bag,10bags/carton
633150/151	1.5ml	Transparent/brown	—	Yes	Yes	500pcs/bag,10bags/carton
633200/201	2.0ml	Transparent/brown	—	Yes	Yes	500pcs/bag,10bags/carton
633202	2.0ml	Transparent,printing Writing Area And Scale Area	—	Yes	Yes	500pcs/bag,10bags/carton
636050/51	0.5ml	Transparent/brown,tube & Cap Assembled	Dwarf Cap	Yes	Yes	50pcs/bag,40bags/carton
636150/151	1.5ml	Transparent/brown,tube & Cap Assembled	Dwarf Cap	Yes	Yes	50pcs/bag,40bags/carton
636200/201	2.0ml	Transparent/brown,tube & Cap Assembled	Dwarf Cap	Yes	Yes	50pcs/bag,40bags/carton
637200	2.0ml	Transparent,tube & Cap Assembled,printing Writing Area And Scale Area	Dwarf Cap	Yes	Yes	50pcs/bag,40bags/carton

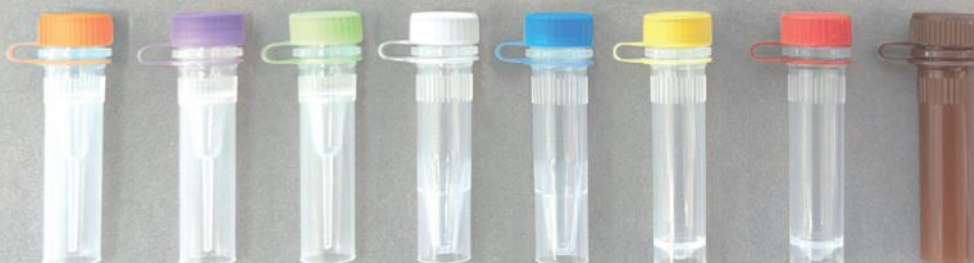


Hinged Screw Cap Microtubes

Features

- Medical grade PP material with Silicon O-Ring inside
- Self-Standing Vials, External Thread, with Sealing O-Rin inside
- Sarstedt series short cap style, Hinged
- Available in 0.5ml, 1.5ml, or 2.0ml volumes for options
- Test: -80Kpa negative pressure sealing
- NDase and RNase free, endotoxin free , No heavy metal
- E-beam Sterile 15kgy
- Compliant with Biocompatibility test report
- Strong chemical resistance to acid and alkali alcohols

Item No.	Color	Cap style	Sterile	No enzyme	Packaging Specifications
630500	Transparent	Hinged ,shortcap	No	Yes	500pcs/bag,10bags/carton
630500-R	Transparent Red	Hinged ,shortcap	No	Yes	500pcs/bag,10bags/carton
630500-B	Transparent Brown	Hinged ,shortcap	No	Yes	500pcs/bag,10bags/carton
630500-Y	Transparent Yellow	Hinged ,shortcap	No	Yes	500pcs/bag,10bags/carton
630500-G	Transparent Green	Hinged ,shortcap	No	Yes	500pcs/bag,10bags/carton
63050X (X=1,2,,3,4,5,6,7,8)	Solid /Red/Green/Blue/Yellow/Purple/Orange/White/Brown	Hinged ,shortcap	No	Yes	500pcs/bag,10bags/carton
633500	Transparent	Hinged ,shortcap	No	Yes	500pcs/bag,10bags/carton
633500-R	Transparent Red	Hinged ,shortcap	Yes	Yes	500pcs/bag,10bags/carton
633500-B	Transparent Brown	Hinged ,shortcap	Yes	Yes	500pcs/bag,10bags/carton
633500-Y	Transparent Yellow	Hinged ,shortcap	Yes	Yes	500pcs/bag,10bags/carton
633500-G	Transparent Green	Hinged ,shortcap	Yes	Yes	50pcs/bag,40bags/carton
63350X (X=1,2,,3,4,5,6,7,8)	Solid /Red/Green/Blue/Yellow/Purple/Orange/White/Brown	Hinged ,shortcap	Yes	Yes	50pcs/bag,40bags/carton
638050	0.5ml,transparent ,Tube & cap assembled	Hinged ,shortcap	Yes	Yes	50pcs/bag,40bags/carton
638150	1.5ml,transparent ,Tube & cap assembled	Hinged ,shortcap	Yes	Yes	50pcs/bag,40bags/carton
638200	2.0ml,transparent ,Tube & cap assembled	Hinged ,shortcap	Yes	Yes	50pcs/bag,40bags/carton
639200	2.0ml,transparent ,Tube & cap assembled,White Writing area	Hinged ,shortcap	Yes	Yes	50pcs/bag,40bags/carton



Short Screw Cap Microtubes

Feature

- Medical grade PP material
- Self-Standing Vials, External Thread, without O-Ring inside
- Short cap style, without O-Ring inside
- 2.0ml
- Test: -80Kpa negative pressure sealing
- NDase and RNase free, endotoxin free , No heavy metal
- E-beam Sterile 15kgy
- Compliant with Biocompatibility test report
- Strong chemical resistance to acid and alkali alcohols

Item No.	Volume	Color	Cap style	Sterile	No enzyme	Packaging Specifications
640000	-	Transparent	Without O-ring	No	Yes	500pcs/bag,10bags/carton
640001	-	Transparent Red	Without O-ring	No	Yes	500pcs/bag,10bags/carton
640002	-	Transparent Blue	Without O-ring	No	Yes	500pcs/bag,10bags/carton
640003	-	Transparent Yellow	Without O-ring	No	Yes	500pcs/bag,10bags/carton
640004	-	Transparent Green	Without O-ring	No	Yes	500pcs/bag,10bags/carton
640200	-	Transparent	2.0ml microtube	No	Yes	500pcs/bag,10bags/carton
643000	-	Transparent	Without O-ring	Yes	Yes	500pcs/bag,10bags/carton
643001	-	Transparent Red	Without O-ring	Yes	Yes	500pcs/bag,10bags/carton
643002	-	Transparent Blue	Without O-ring	Yes	Yes	500pcs/bag,10bags/carton
643003	-	Transparent Yellow	Without O-ring	Yes	Yes	500pcs/bag,10bags/carton
643004	-	Transparent Green	Without O-ring	Yes	Yes	500pcs/bag,10bags/carton
643200	-	Transparent	2.0ml Microtube	Yes	Yes	500pcs/bag,10bags/carton



High Screw Cap Microtubes

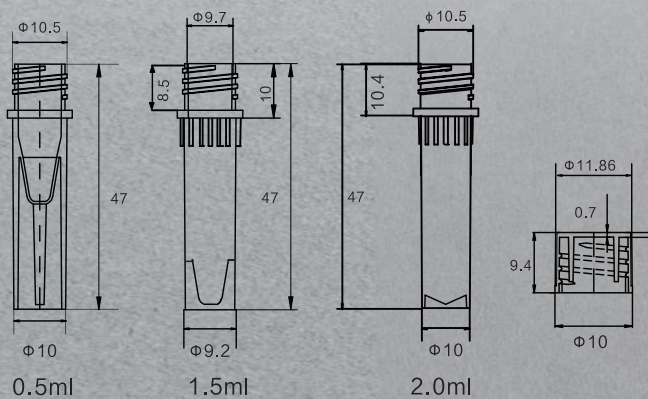
Features

- Medical grade PP material with Silicon O-Ring inside
- Self-Standing Vials, External Thread, with Sealing O-Ring inside
- Axygen series high cap Available in 0.5ml, 1.5ml, or 2.0ml volumes for options
- Test: -80Kpa negative pressure sealing
- NDase and RNase free, endotoxin free , No heavy metal
- E-beam Sterile
- Compliant with Biocompatibility test report Strong chemical resistance to acid and alkali alcohols



Item No.	Volume	Color	Writing area	Sterile	No enzyme	Packaging Specifications
610000Series caps	—	Transparent/Red/Blue/Yellow/Green	No	No	Yes	500pcs/bag,10bags/case
610000X series cap {X=1,2,3,4,5,6,7}	—	Solid Red/Yellow/Blue/Green/Orange/ White	No	No	Yes	500pcs/bag,10bags/case
620000 cap	—	Brown	No	No	Yes	500pcs/bag,10bags/case
610050/51	0.5ml	Transparent/Brown	No	No	Yes	500pcs/bag,10bags/case
610150/151	1.5ml	Transparent /Brown	No	No	Yes	500pcs/bag,10bags/case
610200/201	2.0ml	Transparent /Brown	No	No	Yes	500pcs/bag,10bags/case
613000series cap	—	Transparent/Red/Blue/Yellow/Green	No	Yes	Yes	500pcs/bag,10bags/case
613000X {X=1,2,3,4,5,6,7}	—	Solid Red/Yellow/Blue/Green/Orange/ White	No	Yes	Yes	500pcs/bag,10bags/case
623000	—	brown	No	Yes	Yes	500pcs/bag,10bags/case
613050/51	0.5ml	Transparent /Brown	No	Yes	Yes	500pcs/bag,10bags/case
613150/151	1.5ml	Transparent /Brown	No	Yes	Yes	500pcs/bag,10bags/case
613200/201	2.0ml	Transparent /Brown	No	Yes	Yes	500pcs/bag,10bags/case
616050/51	0.5ml	Transparent /Brown,Tube & cap assembled	No	Yes	Yes	50pcs/bag,40bags/case
616150/151	1.5ml	Transparent /Brown,Tube & cap assembled	No	Yes	Yes	50pcs/bag,40bags/case
616200/201	2.0ml	Transparent /Brown,Tube & cap assembled	No	Yes	Yes	50pcs/bag,40bags/case
617200	2.0ml	Transparent ,Tube & cap assembled	Yes	Yes	Yes	50pcs/bag,40bags/case

Dimensions=mm



Reagent Bottles

Features

- Medical grade PP and HDPE material
- Cap: PP material. Bottle : PP & HDPE both material for options.
- Dnase and Rnase free, No heavy metal ,Sterilizable
- PP bottle can withstand 121°C of high temperature autoclave sterilization, HDPE bottle can be stored at a low temperature of -80°C
- Available in 8ml, 15ml, 30ml, 60ml, 125ml, 250ml, 500ml, 1000ml volume



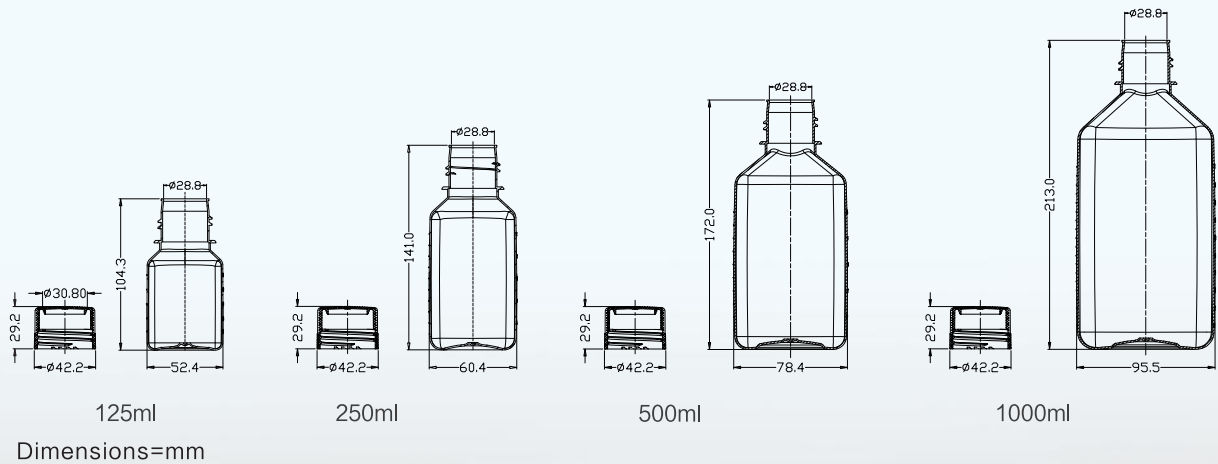
Item No.	Volume	Color	Material	Sterile	No enzyme	Packaging Specifications
5X0008	8ml	Transparent	PP Cap, PP Bottle	X=0, No Sterile; when X=5, Sterilized	Yes	100caps/bag,100tubes/bag,1000sets/case
5X1008	8ml	Natural color	PP Cap, HDPE Bottle	X=0, No Sterile; when X=5, Sterilized	Yes	100caps/bag,100tubes/bag,1000sets/case
5X2008	8ml	Dark brown	PP Cap, HDPE Bottle	X=0, No Sterile; when X=5, Sterilized	Yes	100caps/bag,100tubes/bag,1000sets/case
5X0015	15ml	Transparent	PP Cap, PP Bottle	X=0, No Sterile; when X=5, Sterilized	Yes	100caps/bag,100tubes/bag,1000sets/case
5X1015	15ml	Natural color	PP Cap, HDPE Bottle	X=0, No Sterile; when X=5, Sterilized	Yes	100caps/bag,100tubes/bag,1000sets/case
5X2015	15ml	Dark brown	PP Cap, HDPE Bottle	X=0, No Sterile; when X=5, Sterilized	Yes	100caps/bag,100tubes/bag,1000sets/case
5X0030	30ml	Transparent	PP Cap, PP Bottle	X=0, No Sterile; when X=5, Sterilized	Yes	100caps/bag,100tubes/bag,1000sets/case
5X1030	30ml	Natural color	PP Cap, HDPE Bottle	X=0, No Sterile; when X=5, Sterilized	Yes	100caps/bag,100tubes/bag,1000sets/case
5X2030	30ml	Dark brown	PP Cap, HDPE Bottle	X=0, No Sterile; when X=5, Sterilized	Yes	100caps/bag,100tubes/bag,1000sets/case
5X0060	60ml	Transparent	PP Cap, PP Bottle	X=0, No Sterile; when X=5, Sterilized	Yes	50caps/bag,50tubes/bag,500sets/case
5X1060	60ml	Natural color	PP Cap, HDPE Bottle	X=0, No Sterile; when X=5, Sterilized	Yes	50caps/bag,50tubes/bag,500sets/case
5X2060	60ml	Dark brown	PP Cap, HDPE Bottle	X=0, No Sterile; when X=5, Sterilized	Yes	50caps/bag,50tubes/bag,500sets/case
5X0125	125ml	Transparent	PP Cap, PP Bottle	X=0, No Sterile; when X=5, Sterilized	Yes	25caps/bag,25tubes/bag,250sets/case
5X1125	125ml	Natural color	PP Cap, HDPE Bottle	X=0, No Sterile; when X=5, Sterilized	Yes	25caps/bag,25tubes/bag,250sets/case
5X2125	125ml	Dark brown	PP Cap, HDPE Bottle	X=0, No Sterile; when X=5, Sterilized	Yes	25caps/bag,25tubes/bag,250sets/case
5X0250	250ml	Transparent	PP Cap, PP Bottle	X=0, No Sterile; when X=5, Sterilized	Yes	20caps/bag,20tubes/bag,200sets/case
5X1250	250ml	Natural color	PP Cap, HDPE Bottle	X=0, No Sterile; when X=5, Sterilized	Yes	20caps/bag,20tubes/bag,200sets/case
5X2250	250ml	Dark brown	PP Cap, HDPE Bottle	X=0, No Sterile; when X=5, Sterilized	Yes	20caps/bag,20tubes/bag,200sets/case
5X0500	500ml	Transparent	PP Cap, PP Bottle	X=0, No Sterile; when X=5, Sterilized	Yes	10caps/bag,10tubes/bag,100sets/case
5X1500	500ml	Natural color	PP Cap, HDPE Bottle	X=0, No Sterile; when X=5, Sterilized	Yes	10caps/bag,10tubes/bag,100sets/case
5X2500	500ml	Dark brown	PP Cap, HDPE Bottle	X=0, No Sterile; when X=5, Sterilized	Yes	10caps/bag,10tubes/bag,100sets/case
5X1001	1000ml	Transparent	PP Cap, PP Bottle	X=0, No Sterile; when X=5, Sterilized	Yes	5caps/bag,5tubes/bag,100sets/case
5X1101	1000ml	Natural color	PP Cap, HDPE Bottle	X=0, No Sterile; when X=5, Sterilized	Yes	5caps/bag,5tubes/bag,100sets/case
5X1201	1000ml	Dark brown	PP Cap, HDPE Bottle	X=0, No Sterile; when X=5, Sterilized	Yes	5caps/bag,5tubes/bag,100sets/case

Media Bottles

Features

- Medical grade PETG material
- Square design for easy handling, storage and transportation
- High transparency for easy observation
- E-Beam Sterilization, Dnase and Rnase free, Endotoxin free
- Smooth inner surface, easy to clean, no occupation
- Operating temperature: $-80^{\circ}\text{C}\sim 60^{\circ}\text{C}$

Item No.	Volume	Materia	Sterile	No enzyme	Packaging Specifications
590005	5ml	PETG	Yes	Yes	100pcs/bag,5bags/case
590010	10ml	PETG	Yes	Yes	100pcs/bag,5bags/case
590030	30ml	PETG	Yes	Yes	40pcs/bag,7bags/case
590060	60ml	PETG	Yes	Yes	40pcs/bag,5bags/case
590125	125ml	PETG	Yes	Yes	10pcs/bag,10bags/carton
590250	250ml	PETG	Yes	Yes	30pcs/bag,2bags/case
590500	500ml	PETG	Yes	Yes	24pcs/bag,2bags/case
591000	1000ml	PETG	Yes	Yes	12pcs/bag,2bags/case



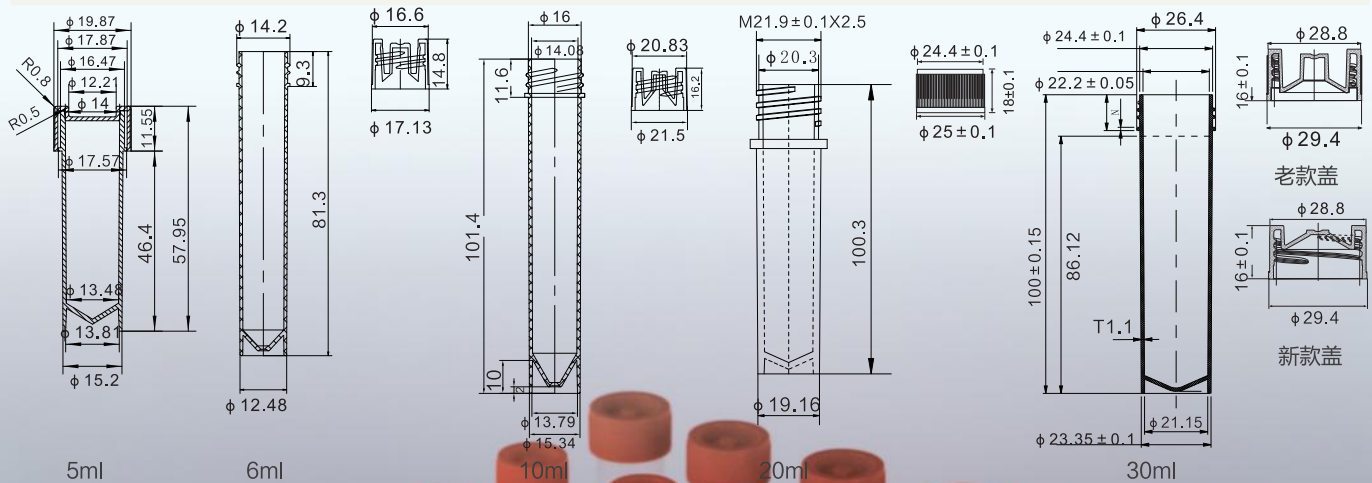
Sample Tubes

Features

- Medical grade PP material
- Available in 5ml, 6ml, 12ml, 20ml, 30ml volumes
- Dnase and Rnase free, Endotoxin free, No heavy metals
- Test: -80Kpa negative pressure sealing 15mins
- Sterile :E-Beam 15KGY

Item No.	Volume	Sterile	Packaging Specifications
650005	5ml	No	500caps/bag,500tubes/bag,1000sets/case
650006	6ml	No	500caps/bag,500tubes/bag,1000sets/case
650010	10ml	No	250caps/bag,250tubes/bag,1000sets/case
650020	20ml	No	200caps/bag,200tubes/bag,1000sets/case
650030	30ml	No	200caps/bag,200tubes/bag,800sets/case
650105	5ml	Yes	25pcs/bags,500pcs/case
650106	6ml	Yes	25pcs/bags,500pcs/case
650110	10ml	Yes	25pcs/bags,500pcs/case
650120	20ml	Yes	25pcs/bags,500pcs/case
650130	30ml	Yes	25pcs/bags,500pcs/case

Item No.	Fit	Hole count	Packaging Specifications
650121-R (Sample tube holder)	5ml squat sample tube, 10ml sample tube	8*12=96 holes	50pcs/carton
650020-R(Sample tube holder)	20ml sample tube	6*8=48 holes	50pcs/carton
650030-R(Sample tube holder)	30ml sample tube	6*8=48 holes	50pcs/carton



Dimensions=mm



Reagent Reservoir

Features

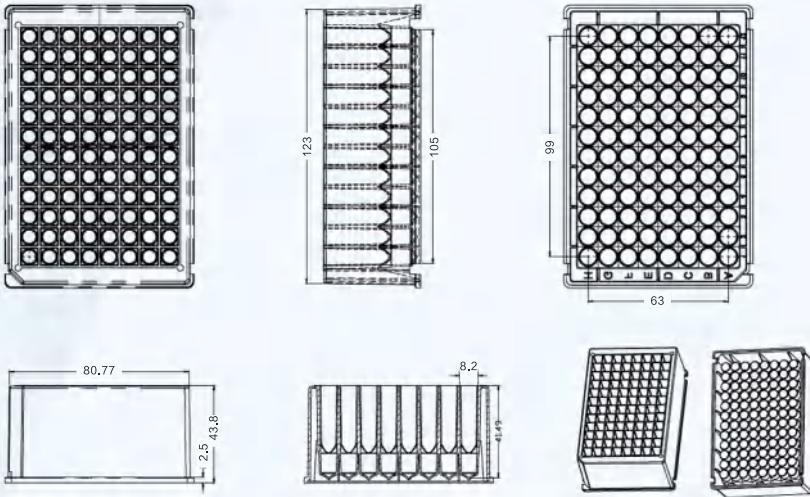
- SBS International Standard
All products confirm to SBS international standard, are compatible with most of pipette workstations
- Imported Virgin Material : Medical grade polypropylene(PP)
- High Temperature Sterilization autoclavable at 121° C/15psi
- Non-Pyrogenic, NDase/RNase free
- Chemical Resistance: Resistant to chemical reagent during use and storage
- Low Heavy Metal Content: High quality and low heavy metal content
- Traceable: all product package is coded for traceability
- Low profile design
- More size for options

Item No.	Channel	Profile	Volume	Size	Sterile, DNase/RNase free	Packaging Specifications
730001	Flat Channel--single Channe	Single Well, Middle Profile	190 mL	127.76X85.48X31.5 mm	Yes	5 pcs/bag, 50 pcs/carton
730008	8 Channe--multi Channe	Multi Well, Middle Profile	22 mL	127.76X85.48X31.5 mm	Yes	5 pcs/bag, 50 pcs/carton
730012	12 Channel--multi Channe	Multi Well, Middle Profile	15 mL	127.76X85.48X31.5 mm	Yes	5 pcs/bag, 50 pcs/carton
730096	96 Channel --single Channe	Single Well, Middle Profile	195 mL	127.76X85.48X31.5 mm	Yes	5 pcs/bag, 50 pcs/carton
730384	384 Channel --single Channe	Single Well, Middle Profile	185 mL	127.76X85.48X31.5 mm	Yes	5 pcs/bag, 50 pcs/carton
732008	8 Channel --multi Channe	Multi Well, High Profile	32 mL	127.76X85.48X44.5 mm	Yes	5 pcs/bag, 50 pcs/carton
732012	12 Channe--multi Channe	Multi Well, High Profile	22 mL	127.76X85.48X44.5 mm	Yes	5 pcs/bag, 50 pcs/carton
731001	8 Channel --single Channe	Single Well, High Profile	290 mL	127.76X85.48X44.5 mm	Yes	5 pcs/bag, 50 pcs/carton
731008	12 Channel --single Channe	Single Well, High Profile	290 mL	127.76X85.48X44.5 mm	Yes	5 pcs/bag, 50 pcs/carton
731096	96 Channel --single Channe	Single Well, High Profile	290 mL	127.76X85.48X44.5 mm	Yes	5 pcs/bag, 50 pcs/carton
731384	384 Channel --single Channe	Single Well, High Profile	290 mL	127.76X85.48X44.5 mm	Yes	5 pcs/bag, 50 pcs/carton



Deep Well Plates

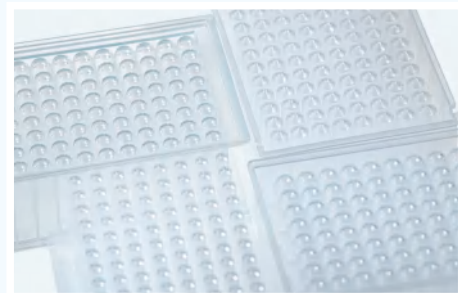
Dimensions=mm



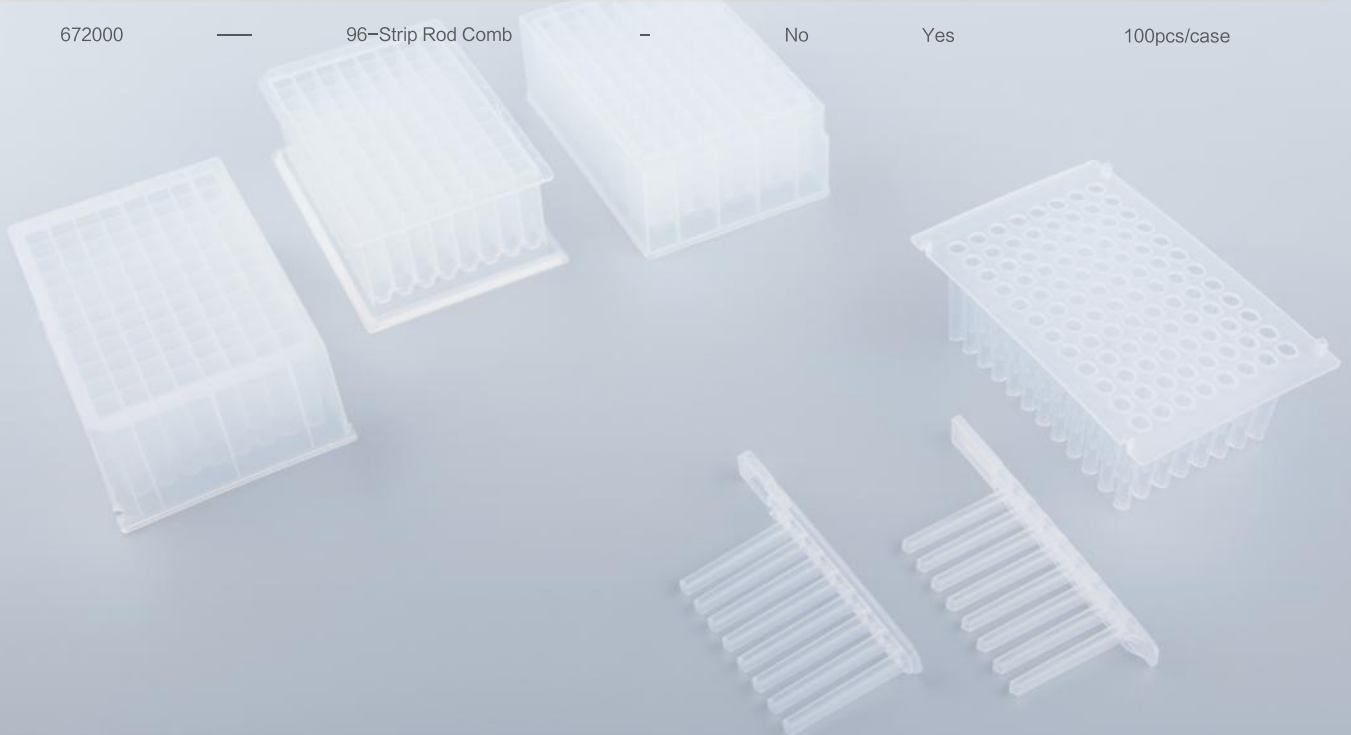
671001

Features

- Medical grade PP material
- Available in U bottom and V bottom
- Can be sterilized by high temperature and high pressure, and can be matched with sealing film
- Compliant with SBS automation standard



Item No.	Volume	Des.	Style	Sterile	No enzyme	Packaging Specifications
671001	2.2ml	Deep Well Plate	V bottom	No	Yes	50pcs/case
671002	2.2ml	Deep Well plate	U bottom	No	Yes	50pcs/case
671003	2.2ml	Deep Well plate	I-shaped board	No	Yes	50pcs/case
672008	—	8-Strip Rod Comb	Strengthen Section A	No	Yes	2bags/box,4boxes/case
672018	—	8-Strip Rod Comb	Strengthen Section B	No	Yes	2bags/box,4boxes/case
672000	—	96-Strip Rod Comb	-	No	Yes	100pcs/case



Hamilton Automatic Pipette tips

Features

- Medical grade PP material,
- Low adsorption treatment to reduce residue
- Uniform resistance and CV values
- E-Beam Sterilization, Dnase and Rnase free. No pyrogen
- Hamilton Automated Tips for Hamilton series Workstations

Item No.	Volume	Color	Low Adsorption	Filter or No Filter	Sterile No enzyme	Packaging Specifications
H490302	300 μ L	Black	Yes	No	Yes	96tips/rack,6racks/inner box,30racks/case
H490303	300 μ L	Black	Yes	Yes	Yes	96tips/rack,6racks/inner box,30racks/case
H491002	1000 μ L	Black	Yes	No	Yes	96tips/rack,5racks/inner box,25racks/case
H491003	1000 μ L	Black	Yes	Yes	Yes	96tips/rack,5racks/inner box,25racks/case

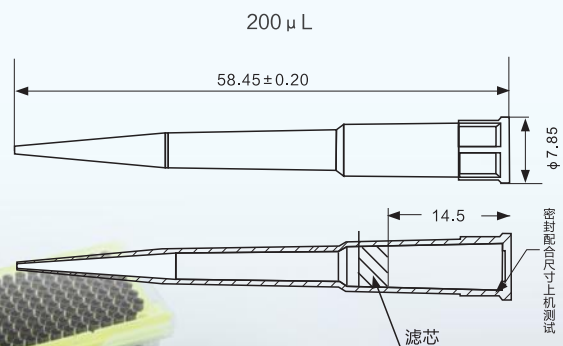
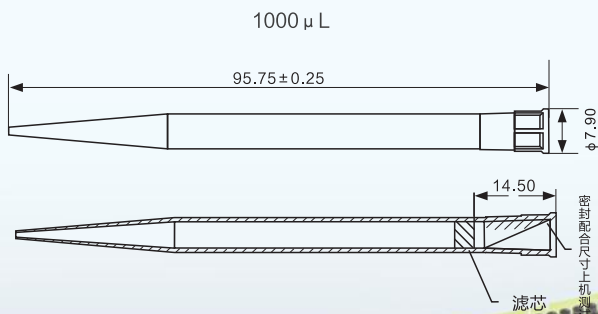


Tecan Automatic Pipette Tips

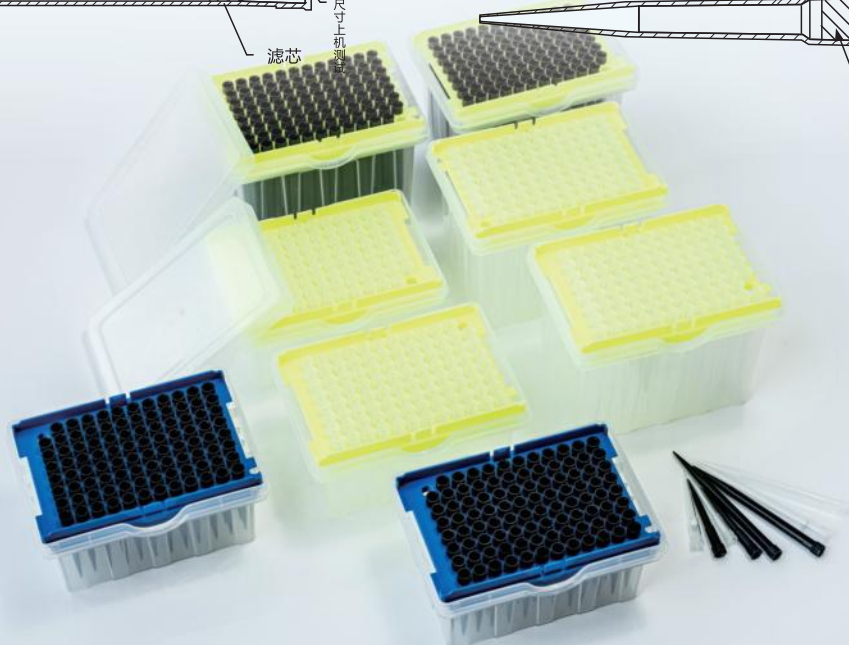
Features

- Medical grade PP material
- Low adsorption treatment to reduce residue
- Uniform resistance and CV values
- E-Beam Sterilization, Dnase and Rnase free, No pyrogen
- Tecan automated tips for Tecan series workstations

Item No.	Volume	Color	Low Adsorption	Filter or No Filter	Steriled, Non-enzyme	Packaging Specifications
T420020	20 μ L	Transparent	No	No	Yes	96tips/rack ,10racks/inner box,50racks/carton
T420021	20 μ L	Transparent	No	Have	Yes	96tips/rack ,10racks/inner box,50racks/carton
T420021	20 μ L	Black	No	No	Yes	96tips/rack ,10racks/inner box,50racks/carton
T420023	20 μ L	Black	No	Have	Yes	96tips/rack ,10racks/inner box,50racks/carton
T420050	50 μ L	Transparent	No	No	Yes	96tips/rack ,10racks/inner box,50racks/carton
T420051	50 μ L	Transparent	No	Have	Yes	96tips/rack ,10racks/inner box,50racks/carton
T420052	50 μ L	Black	No	No	Yes	96tips/rack ,10racks/inner box,50racks/carton
T420053	50 μ L	Black	No	Have	Yes	96tips/rack ,10racks/inner box,50racks/carton
T490200	200 μ L	Transparent	Yes	No	Yes	96tips/rack,6racks/Inner box,30racks/carton
T490201	200 μ L	Transparent	Yes	Have	Yes	96tips/rack,6racks/Inner box,30racks/carton
T490202	200 μ L	Black	Yes	No	Yes	96tips/rack,6racks/Inner box,30racks/carton
T490203	200 μ L	Black	Yes	Have	Yes	96tips/rack,6racks/Inner box,30racks/carton
T491000	1000 μ L	Transparent	Yes	No	Yes	96tips/rack,5racks/Inner box,25racks/carton
T491001	1000 μ L	Transparent	Yes	Have	Yes	96tips/rack,5racks/Inner box,25racks/carton
T491002	1000 μ L	Black	Yes	No	Yes	96tips/rack,5racks/Inner box,25racks/carton
T491003	1000 μ L	Black	Yes	Have	Yes	96tips/rack,5racks/Inner box,25racks/carton



Dimensions=mm

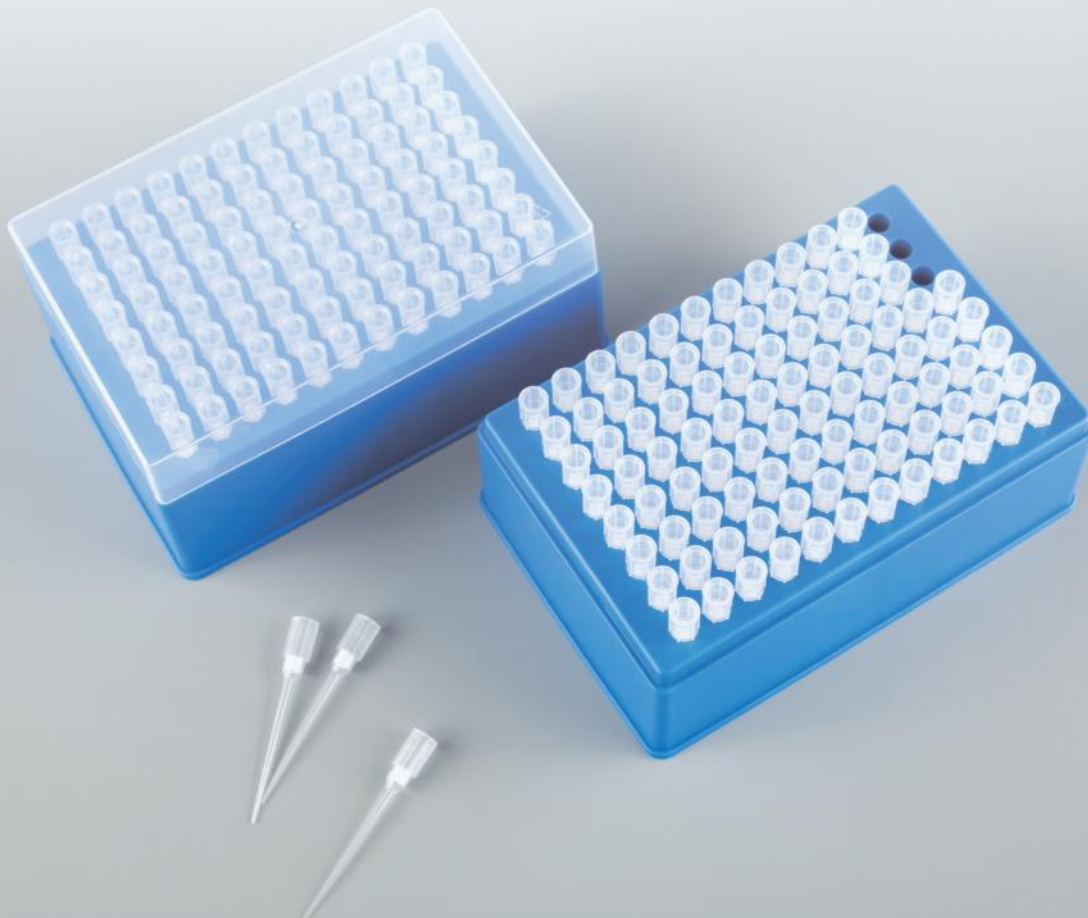


Beckman Automatic Pipette Tips

Features

- Medical grade PP material
- Low adsorption treatment to reduce residue
- Uniform resistance and CV values
- E-Beam Sterilization, Dnase and Rnase free, No pyrogen
- The Beckman automatic pipette tips are adapted to the Beckman series of workstations

Item No.	Volume	Color	Low Adsorption	Sterility	Non-enzyme	Packaging Specifications
B490050	50 μ L	Transparent	No	Yes	Yes	96tips/rack,50racks/carton
B490051	50 μ L	Transparent	Yes	Yes	Yes	96tips/rack,50racks/carton
B490052	50 μ L	Transparent	No	Yes	Yes	96tips/rack,50racks/carton
B490053	50 μ L	Transparent	Yes	Yes	Yes	96tips/rack,50racks/carton
B490250	250 μ L	Transparent	No	Yes	Yes	96tips/rack,50racks/carton
B490251	250 μ L	Transparent	Yes	Yes	Yes	96tips/rack,50racks/carton
B490252	250 μ L	Transparent	No	Yes	Yes	96tips/rack,50racks/carton
B490253	250 μ L	Transparent	Yes	Yes	Yes	96tips/rack,50racks/carton



Bacterial Culture Flasks

Features

- Medical grade PC material
- Silicon Cap and plastic Screw Cap
- Perfect for Mérieux analyzers



Item No.	Size	Color	Packaging Specifications
580001	34.5*112mm	Silicone cap	100pcs/case
580002	34.5*112mm	Blue cap	100pcs/case
580003	34.5*112mm	Yellow cap	100pcs/case

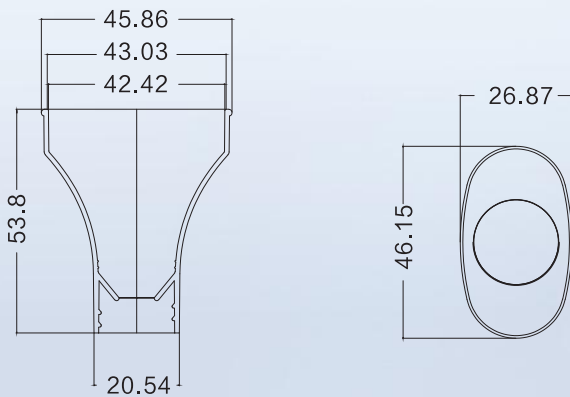


Saliva Collectors

Features

- Safety: Painless, Non-Invasive, No Cross Infection
- Portable: Transport at room temperature, storage at room temperature for 24 months after sampling, DNA will not degrade
- Efficient: A large amount of DNA was obtained, High efficiency of extraction.
- Barcode: Each sample has a unique international standard barcode, which regulates sample management and protects the subject's privacy.

Item No.	Volume	Tube Graduate	Sterile	Non-enzyme	Packaging Specifications
652005	5ml	No	No	Yes	1000sets/case
652011	10ml	Yes	No	Yes	1000sets/case
652505	5ml	No	No	Yes	Blister box independent packaging,400sets/case
652505-s	5ml	No	Yes	Yes	Individule PE bag pack ,400sets/case
652511	10ml	Yes	No	Yes	Blister box independent packaging,275sets/case
652511-s	10ml	Yes	No	Yes	Individule PE bag pack ,275sets/case
652000	--	--	No	Yes	100pcs/bag, 1000pcs/carton



650006

Dimensions=mm



Disposable Virus Sample Tubes

Features

- Use a variety of antibiotics to effectively prevent bacterial and fungal contamination
- The addition of bovine serum albumin (BSA) as a protein stabilizer can protect virus samples and improve resolution
- The sampling tube is thickened and leak-proof design to ensure that the sample does not leak, in line with WHO regulations and biosafety regulations

Item No.	Reagent	Tube Volume	Single tube sampling	Sterile	Non-enzyme	Packaging Specifications
660121	Inactivated, 3ml	10ml	1	No	Yes	50pcs/bag,500pcs/case
660121-10	Inactivated, 6ml	10ml	10	No	Yes	50pcs/bag,500sets/case





ZHEJIANG RONGDA BIOTECHNOLOGY CO., LTD.

Tel: 0576-84080099

Website: www.rongda-bio.com

Address: Building 1, No. 999, Beiyuan Road,
Xinqian street, HuangyanArea, Taizhou City,
Zhejiang Province, China

